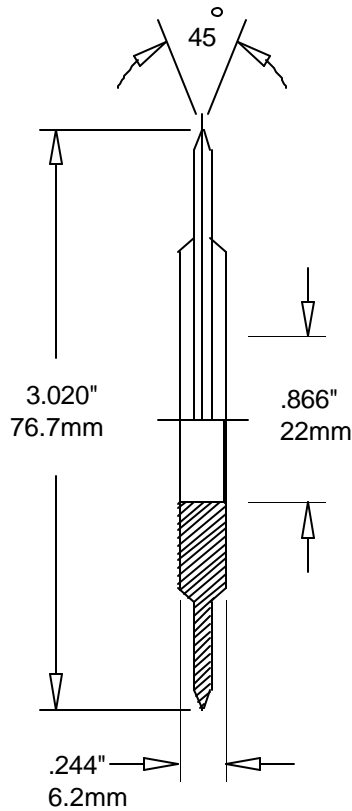


## Product Information 14929 CAMERON 793-A

30 Degrees See 30382  
 60 Degrees See 30879  
 90 Degrees See 15361



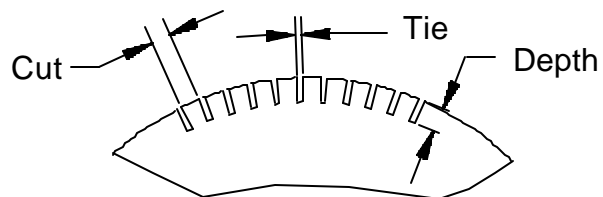
Part Number	Cuts / inch	Teeth / wheel	Cut Length	Standard Tie Width
14929-0	0	0		
14929-2	2	19	.485"	.030"
14929-3	3	29	.300"	.030"
14929-4	4	38	.220"	.030"
14929-5	5	48	.171"	.030"
14929-6	6	57	.138"	.030"
14929-7	7	67	.112"	.030"
14929-8	8	76	.095"	.030"
14929-10	10	95	.070"	.030"
14929-12	12	114	.053"	.030"
14929-16	16	152	.032"	.030"

**meaden mini perfs**

14929-3010	30	284	.027"	.006"
14929-4510	45	426	.016"	.006"
14929-5010	50	474	.014"	.006"
14929-6610	66	626	.009"	.006"
14929-7210	72	684	.008"	.006"
14929-3030	30	284	.027"	.006"
14929-4530	45	426	.016"	.006"
14929-5030	50	474	.014"	.006"
14929-6630	66	626	.009"	.006"
14929-7230	72	684	.008"	.006"

X-117 Bearing

No charges Charges for Marking  
 Other ties available at no charge up to .060" wide  
 Any combination of cuts and ties available on request.



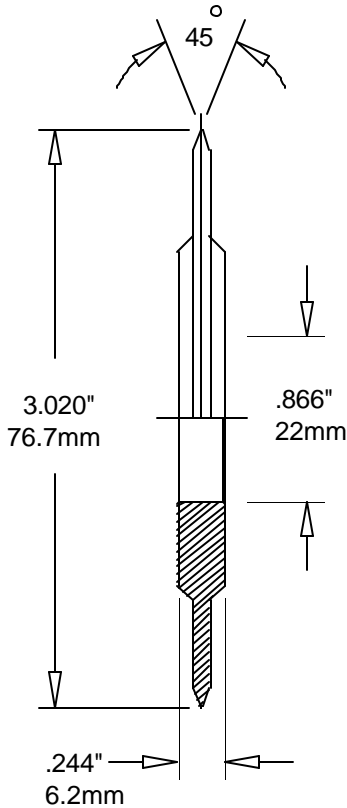
Different wheels not combinable for quantity price.

Minimum Total order is \$50.00

## Product Information 14929

## HAMILTON

30 Degrees See 30382  
 60 Degrees See 30879  
 90 Degrees See 15361



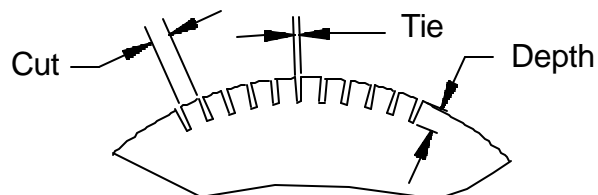
Part Number	Cuts / inch	Teeth / wheel	Cut Length	Standard Tie Width
14929-0	0	0		
14929-2	2	19	.485"	.030"
14929-3	3	29	.300"	.030"
14929-4	4	38	.220"	.030"
14929-5	5	48	.171"	.030"
14929-6	6	57	.138"	.030"
14929-7	7	67	.112"	.030"
14929-8	8	76	.095"	.030"
14929-10	10	95	.070"	.030"
14929-12	12	114	.053"	.030"
14929-16	16	152	.032"	.030"

### meaden mini perfs

14929-3010	30	284	.027"	.006"
14929-4510	45	426	.016"	.006"
14929-5010	50	474	.014"	.006"
14929-6610	66	626	.009"	.006"
14929-7210	72	684	.008"	.006"
14929-3030	30	284	.027"	.006"
14929-4530	45	426	.016"	.006"
14929-5030	50	474	.014"	.006"
14929-6630	66	626	.009"	.006"
14929-7230	72	684	.008"	.006"

X-117 Bearing

No charges Charges for Marking  
 Other ties available at no charge up to .060" wide  
 Any combination of cuts and ties available on request.



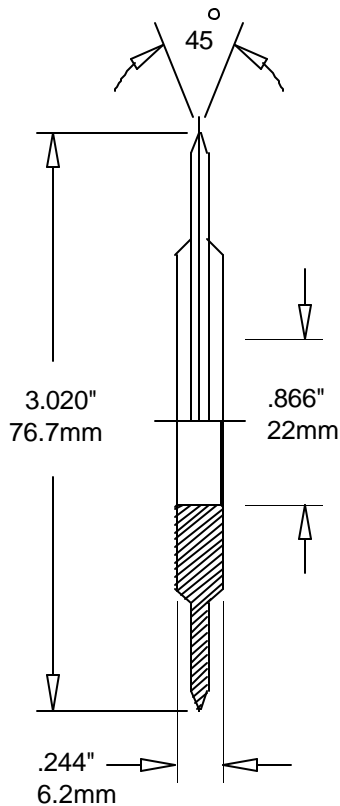
Different wheels not combinable for quantity price.

Minimum Total order is \$50.00

## Product Information 14929

## STEVENS

30 Degrees See 30382  
 60 Degrees See 30879  
 90 Degrees See 15361



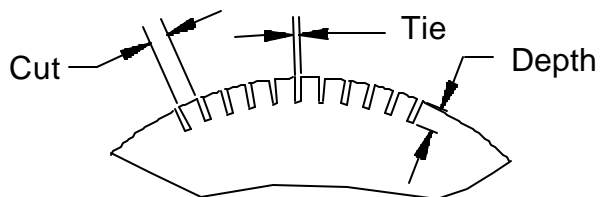
Part Number	Cuts / inch	Teeth / wheel	Cut Length	Standard Tie Width
14929-0	0	0		
14929-2	2	19	.485"	.030"
14929-3	3	29	.300"	.030"
14929-4	4	38	.220"	.030"
14929-5	5	48	.171"	.030"
14929-6	6	57	.138"	.030"
14929-7	7	67	.112"	.030"
14929-8	8	76	.095"	.030"
14929-10	10	95	.070"	.030"
14929-12	12	114	.053"	.030"
14929-16	16	152	.032"	.030"

**meaden mini perfs**

14929-3010	30	284	.027"	.006"
14929-4510	45	426	.016"	.006"
14929-5010	50	474	.014"	.006"
14929-6610	66	626	.009"	.006"
14929-7210	72	684	.008"	.006"
14929-3030	30	284	.027"	.006"
14929-4530	45	426	.016"	.006"
14929-5030	50	474	.014"	.006"
14929-6630	66	626	.009"	.006"
14929-7230	72	684	.008"	.006"

X-117 Bearing

No charges Charges for Marking  
 Other ties available at no charge up to .060" wide  
 Any combination of cuts and ties available on request.

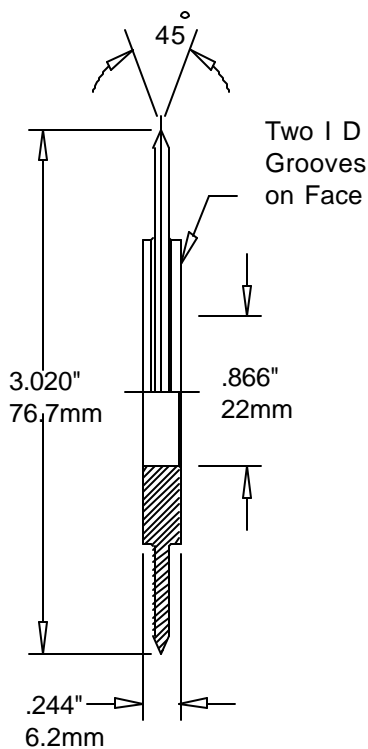


Different wheels not combinable for quantity price.

Minimum Total order is \$50.00

## Product Information 14933

## HAMILTON



Note: This wheel is 57 - 59 Rc to prevent anvil damage

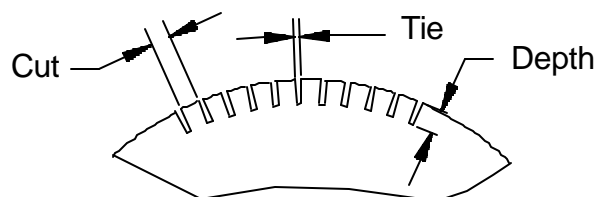
Part Number	Cuts / inch	Teeth / wheel	Cut Length	Standard Tie Width
14933-0	0	0		
14933-2	2	19	.485"	.030"
14933-3	3	29	.300"	.030"
14933-4	4	38	.220"	.030"
14933-5	5	48	.171"	.030"
14933-6	6	57	.138"	.030"
14933-7	7	67	.112"	.030"
14933-8	8	76	.095"	.030"
14933-10	10	95	.070"	.030"
14933-12	12	114	.053"	.030"
14933-16	16	152	.032"	.030"

### meaden mini perfs

14933-3010	30	284	.027"	.006"
14933-4510	45	426	.016"	.006"
14933-5010	50	474	.014"	.006"
14933-6610	66	626	.009"	.006"
14933-7210	72	684	.008"	.006"
14933-3030	30	284	.027"	.006"
14933-4530	45	426	.016"	.006"
14933-5030	50	474	.014"	.006"
14933-6630	66	626	.009"	.006"
14933-7230	72	684	.008"	.006"

X-117	Bearing			
-------	---------	--	--	--

No charges Charges for Marking  
 Other ties available at no charge up to .060" wide  
 Any combination of cuts and ties available on request.

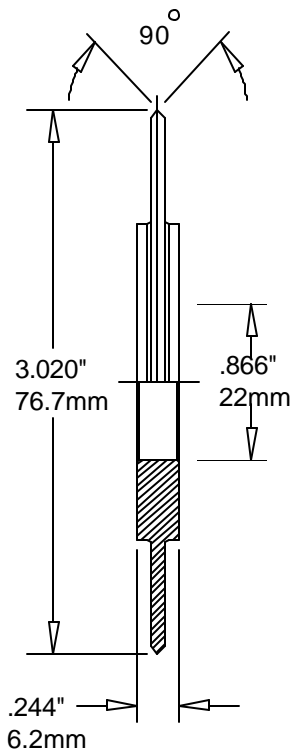


Different wheels not combinable for quantity price.

Minimum Total order is \$50.00

## Product Information 15361 SEE 14929

Same as 14929 except  
for 90 degree cutting edge

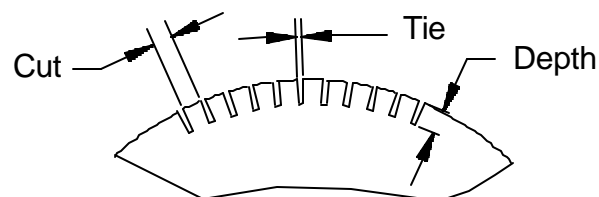


Part Number	Cuts / inch	Teeth / wheel	Cut Length	Standard Tie Width
15361-0	0	0		
15361-2	2	19	.485"	.030"
15361-3	3	29	.300"	.030"
15361-4	4	38	.220"	.030"
15361-5	5	48	.171"	.030"
15361-6	6	57	.138"	.030"
15361-7	7	67	.112"	.030"
15361-8	8	76	.095"	.030"
15361-10	10	95	.070"	.030"
15361-12	12	114	.053"	.030"
15361-16	16	152	.032"	.030"

### meaden mini perfs

15361-3010	30	284	.027"	.006"
15361-4510	45	426	.016"	.006"
15361-5010	50	474	.014"	.006"
15361-6610	66	626	.009"	.006"
15361-7210	72	684	.008"	.006"
15361-3030	30	284	.027"	.006"
15361-4530	45	426	.016"	.006"
15361-5030	50	474	.014"	.006"
15361-6630	66	626	.009"	.006"
15361-7230	72	684	.008"	.006"
X-117	Bearing			

No charges Charges for Marking  
Other ties available at no charge up to .060" wide  
Any combination of cuts and ties available on request.



Different wheels not combinable for quantity price.

Minimum Total order is \$50.00

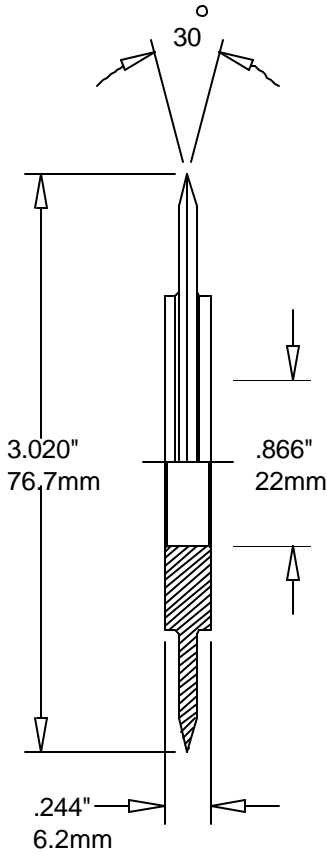
**meaden**

## Product Information

## 30382

## CAMERON

45 Degrees See 14929  
 60 Degrees See 30879  
 90 Degrees See 15361



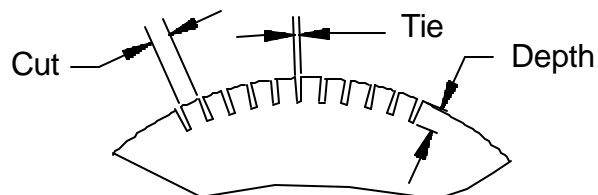
Part Number	Cuts / inch	Teeth / wheel	Cut Length	Standard Tie Width
30382-0	slitter	0		
30382-2	2	19	.485"	.030"
30382-3	3	29	.300"	.030"
30382-4	4	38	.220"	.030"
30382-5	5	48	.171"	.030"
30382-6	6	57	.138"	.030"
30382-7	7	67	.112"	.030"
30382-8	8	76	.095"	.030"
30382-10	10	95	.070"	.030"
30382-12	12	114	.053"	.030"
30382-16	16	152	.032"	.030"

### meaden mini perfs

30382-3010	30	284	.027"	.006"
30382-4510	45	426	.016"	.006"
30382-5010	50	474	.014"	.006"
30382-6610	66	626	.009"	.006"
30382-7210	72	684	.008"	.006"
30382-3030	30	284	.027"	.006"
30382-4530	45	426	.016"	.006"
30382-5030	50	474	.014"	.006"
30382-6630	66	626	.009"	.006"
30382-7230	72	684	.008"	.006"

X-117 Bearing

No charges Charges for Marking  
 Other ties available at no charge up to .060" wide  
 Any combination of cuts and ties available on request.



Different wheels not combinable for quantity price.

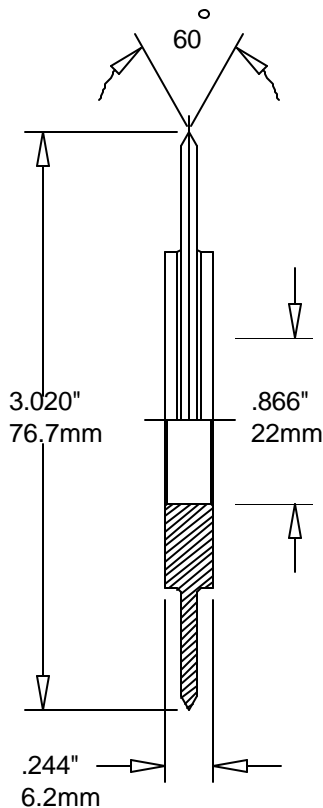
Minimum Total order is \$50.00

## meaden

## Product Information

## 30879

## CAMERON



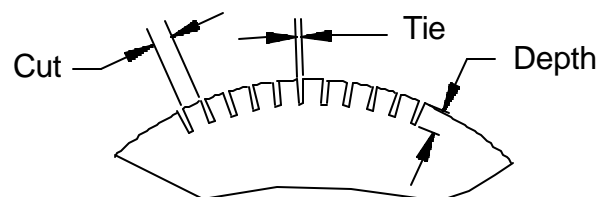
Part Number	Cuts / inch	Teeth / wheel	Cut Length	Standard Tie Width
30879-0	slitter	0		
30879-2	2	19	.485"	.030"
30879-3	3	29	.300"	.030"
30879-4	4	38	.220"	.030"
30879-5	5	48	.171"	.030"
30879-6	6	57	.138"	.030"
30879-7	7	67	.112"	.030"
30879-8	8	76	.095"	.030"
30879-10	10	95	.070"	.030"
30879-12	12	114	.053"	.030"
30879-16	16	152	.032"	.030"

### meaden mini perfs

30879-3010	30	284	.027"	.006"
30879-4510	45	426	.016"	.006"
30879-5010	50	474	.014"	.006"
30879-6610	66	626	.009"	.006"
30879-7210	72	684	.008"	.006"
30879-3030	30	284	.027"	.006"
30879-4530	45	426	.016"	.006"
30879-5030	50	474	.014"	.006"
30879-6630	66	626	.009"	.006"
30879-7230	72	684	.008"	.006"

X-117 Bearing

No charges Charges for Marking  
 Other ties available at no charge up to .060" wide  
 Any combination of cuts and ties available on request.



Different wheels not combinable for quantity price.

Minimum Total order is \$50.00

**meaden**

210 W. 83rd Street, Burr Ridge, IL 60521 USA \* Phone 630-655-0888 \* FAX 630-655-3012 \* [www.meadenprinting.com](http://www.meadenprinting.com)