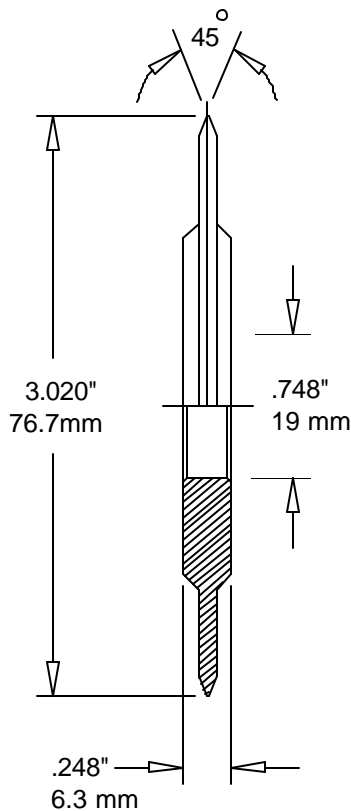


Product Information 14930 CAMERON 428-A



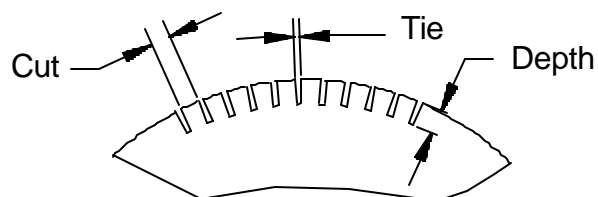
Part Number	Cuts / inch	Teeth / wheel	Cut Length	Standard Tie Width
14930-0	0	0		
14930-2	2	19	.485"	.030"
14930-3	3	29	.300"	.030"
14930-4	4	38	.220"	.030"
14930-5	5	48	.171"	.030"
14930-6	6	57	.138"	.030"
14930-7	7	67	.112"	.030"
14930-8	8	76	.095"	.030"
14930-10	10	95	.070"	.030"
14930-12	12	114	.053"	.030"
14930-16	16	152	.032"	.030"

meaden mini perfs

14930-3010	30	284	.027"	.006"
14930-4510	45	426	.016"	.006"
14930-5010	50	474	.014"	.006"
14930-6610	66	626	.009"	.006"
14930-7210	72	682	.008"	.006"
14930-3030	30	284	.027"	.006"
14930-4530	45	426	.016"	.006"
14930-5030	50	474	.014"	.006"
14930-6630	66	626	.009"	.006"
14930-7230	72	682	.008"	.006"

C-96-PP Bearing

No charges Charges for Marking
 Other ties available at no charge up to .060" wide
 Any combination of cuts and ties available on request.

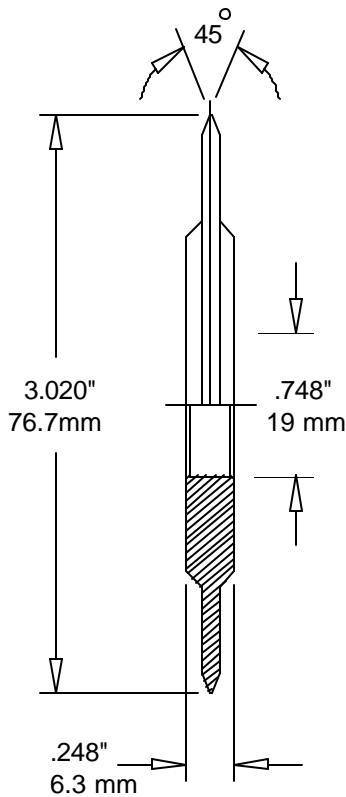


Different wheels not combinable for quantity price.

Minimum Total order is \$50.00

Product Information 14930

CODIMAG



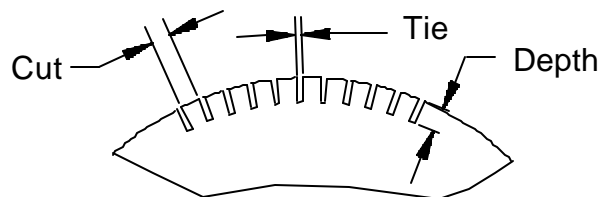
Part Number	Cuts / inch	Teeth / wheel	Cut Length	Standard Tie Width
14930-0	0	0		
14930-2	2	19	.485"	.030"
14930-3	3	29	.300"	.030"
14930-4	4	38	.220"	.030"
14930-5	5	48	.171"	.030"
14930-6	6	57	.138"	.030"
14930-7	7	67	.112"	.030"
14930-8	8	76	.095"	.030"
14930-10	10	95	.070"	.030"
14930-12	12	114	.053"	.030"
14930-16	16	152	.032"	.030"

meaden mini perfs

14930-3010	30	284	.027"	.006"
14930-4510	45	426	.016"	.006"
14930-5010	50	474	.014"	.006"
14930-6610	66	626	.009"	.006"
14930-7210	72	682	.008"	.006"
14930-3030	30	284	.027"	.006"
14930-4530	45	426	.016"	.006"
14930-5030	50	474	.014"	.006"
14930-6630	66	626	.009"	.006"
14930-7230	72	682	.008"	.006"

C-96-PP Bearing

No charges Charges for Marking
 Other ties available at no charge up to .060" wide
 Any combination of cuts and ties available on request.

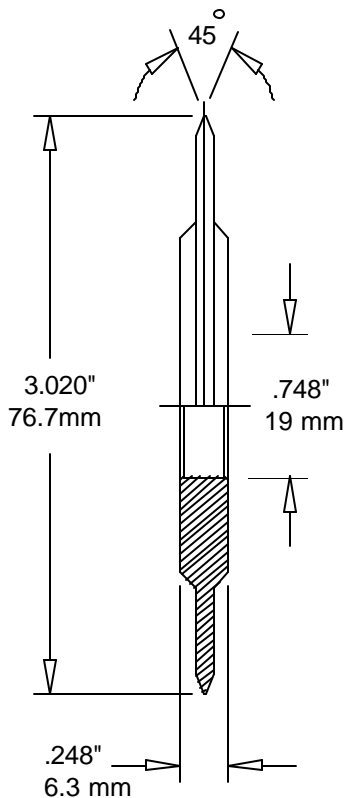


Different wheels not combinable for quantity price.

Minimum Total order is \$50.00



Product Information 14930 EDELMANN FORMALL



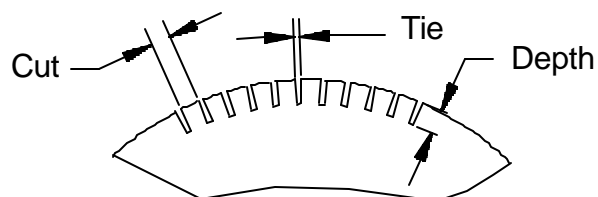
Part Number	Cuts / inch	Teeth / wheel	Cut Length	Standard Tie Width
14930-0	0	0		
14930-2	2	19	.485"	.030"
14930-3	3	29	.300"	.030"
14930-4	4	38	.220"	.030"
14930-5	5	48	.171"	.030"
14930-6	6	57	.138"	.030"
14930-7	7	67	.112"	.030"
14930-8	8	76	.095"	.030"
14930-10	10	95	.070"	.030"
14930-12	12	114	.053"	.030"
14930-16	16	152	.032"	.030"

meaden mini perfs

14930-3010	30	284	.027"	.006"
14930-4510	45	426	.016"	.006"
14930-5010	50	474	.014"	.006"
14930-6610	66	626	.009"	.006"
14930-7210	72	682	.008"	.006"
14930-3030	30	284	.027"	.006"
14930-4530	45	426	.016"	.006"
14930-5030	50	474	.014"	.006"
14930-6630	66	626	.009"	.006"
14930-7230	72	682	.008"	.006"

C-96-PP Bearing

No charges Charges for Marking
 Other ties available at no charge up to .060" wide
 Any combination of cuts and ties available on request.

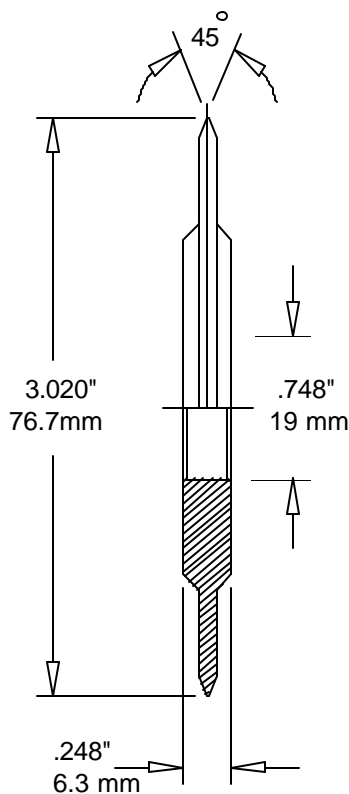


Different wheels not combinable for quantity price.

Minimum Total order is \$50.00

Product Information 14930

GIEBELER



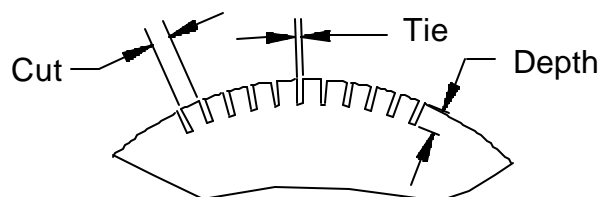
Part Number	Cuts / inch	Teeth / wheel	Cut Length	Standard Tie Width
14930-0	0	0		
14930-2	2	19	.485"	.030"
14930-3	3	29	.300"	.030"
14930-4	4	38	.220"	.030"
14930-5	5	48	.171"	.030"
14930-6	6	57	.138"	.030"
14930-7	7	67	.112"	.030"
14930-8	8	76	.095"	.030"
14930-10	10	95	.070"	.030"
14930-12	12	114	.053"	.030"
14930-16	16	152	.032"	.030"

meaden mini perfs

14930-3010	30	284	.027"	.006"
14930-4510	45	426	.016"	.006"
14930-5010	50	474	.014"	.006"
14930-6610	66	626	.009"	.006"
14930-7210	72	682	.008"	.006"
14930-3030	30	284	.027"	.006"
14930-4530	45	426	.016"	.006"
14930-5030	50	474	.014"	.006"
14930-6630	66	626	.009"	.006"
14930-7230	72	682	.008"	.006"

C-96-PP Bearing

No charges Charges for Marking
Other ties available at no charge up to .060" wide
Any combination of cuts and ties available on request.



Different wheels not combinable for quantity price.

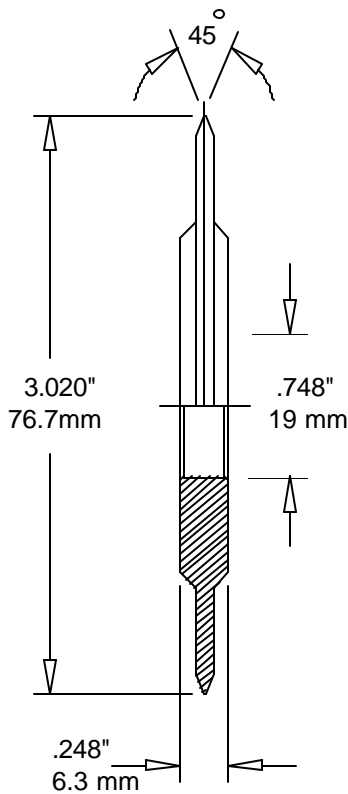
Minimum Total order is \$50.00

meaden

210 W. 83rd Street, Burr Ridge, IL 60521 USA * Phone 630-655-0888 * FAX 630-655-3012 * www.meadenprinting.com

Product Information 14930

HAMILTON



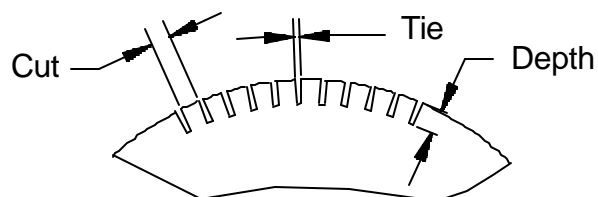
Part Number	Cuts / inch	Teeth / wheel	Cut Length	Standard Tie Width
14930-0	0	0		
14930-2	2	19	.485"	.030"
14930-3	3	29	.300"	.030"
14930-4	4	38	.220"	.030"
14930-5	5	48	.171"	.030"
14930-6	6	57	.138"	.030"
14930-7	7	67	.112"	.030"
14930-8	8	76	.095"	.030"
14930-10	10	95	.070"	.030"
14930-12	12	114	.053"	.030"
14930-16	16	152	.032"	.030"

meaden mini perfs

14930-3010	30	284	.027"	.006"
14930-4510	45	426	.016"	.006"
14930-5010	50	474	.014"	.006"
14930-6610	66	626	.009"	.006"
14930-7210	72	682	.008"	.006"
14930-3030	30	284	.027"	.006"
14930-4530	45	426	.016"	.006"
14930-5030	50	474	.014"	.006"
14930-6630	66	626	.009"	.006"
14930-7230	72	682	.008"	.006"

C-96-PP Bearing

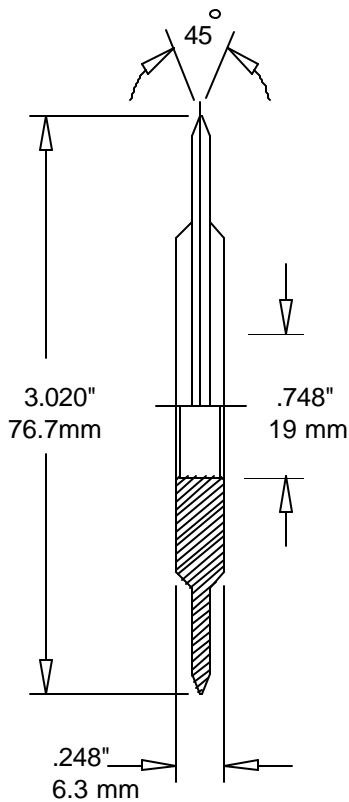
No charges Charges for Marking
 Other ties available at no charge up to .060" wide
 Any combination of cuts and ties available on request.



Different wheels not combinable for quantity price.

Minimum Total order is \$50.00

Product Information 14930 ROTATEK



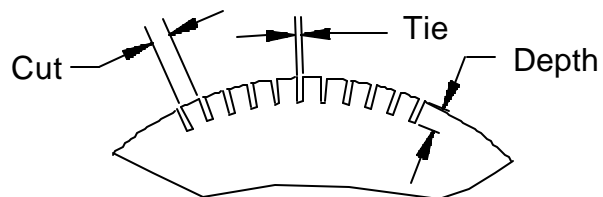
Part Number	Cuts / inch	Teeth / wheel	Cut Length	Standard Tie Width
14930-0	0	0		
14930-2	2	19	.485"	.030"
14930-3	3	29	.300"	.030"
14930-4	4	38	.220"	.030"
14930-5	5	48	.171"	.030"
14930-6	6	57	.138"	.030"
14930-7	7	67	.112"	.030"
14930-8	8	76	.095"	.030"
14930-10	10	95	.070"	.030"
14930-12	12	114	.053"	.030"
14930-16	16	152	.032"	.030"

meaden mini perfs

14930-3010	30	284	.027"	.006"
14930-4510	45	426	.016"	.006"
14930-5010	50	474	.014"	.006"
14930-6610	66	626	.009"	.006"
14930-7210	72	682	.008"	.006"
14930-3030	30	284	.027"	.006"
14930-4530	45	426	.016"	.006"
14930-5030	50	474	.014"	.006"
14930-6630	66	626	.009"	.006"
14930-7230	72	682	.008"	.006"

C-96-PP Bearing

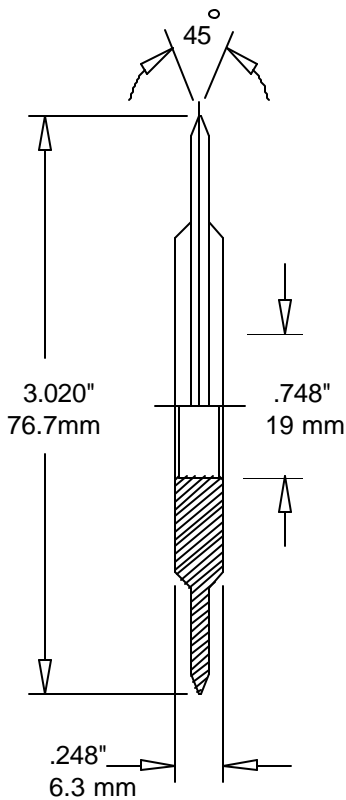
No charges Charges for Marking
 Other ties available at no charge up to .060" wide
 Any combination of cuts and ties available on request.



Different wheels not combinable for quantity price.

Minimum Total order is \$50.00

Product Information 14930 STEVENS



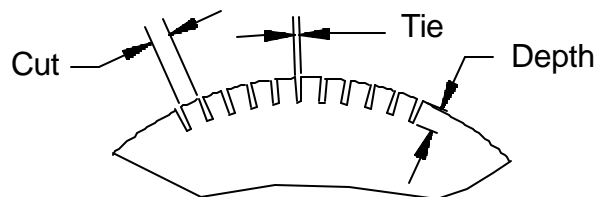
Part Number	Cuts / inch	Teeth / wheel	Cut Length	Standard Tie Width
14930-0	0	0		
14930-2	2	19	.485"	.030"
14930-3	3	29	.300"	.030"
14930-4	4	38	.220"	.030"
14930-5	5	48	.171"	.030"
14930-6	6	57	.138"	.030"
14930-7	7	67	.112"	.030"
14930-8	8	76	.095"	.030"
14930-10	10	95	.070"	.030"
14930-12	12	114	.053"	.030"
14930-16	16	152	.032"	.030"

meaden mini perfs

14930-3010	30	284	.027"	.006"
14930-4510	45	426	.016"	.006"
14930-5010	50	474	.014"	.006"
14930-6610	66	626	.009"	.006"
14930-7210	72	682	.008"	.006"
14930-3030	30	284	.027"	.006"
14930-4530	45	426	.016"	.006"
14930-5030	50	474	.014"	.006"
14930-6630	66	626	.009"	.006"
14930-7230	72	682	.008"	.006"

C-96-PP Bearing

No charges Charges for Marking
 Other ties available at no charge up to .060" wide
 Any combination of cuts and ties available on request.



Different wheels not combinable for quantity price.

Minimum Total order is \$50.00