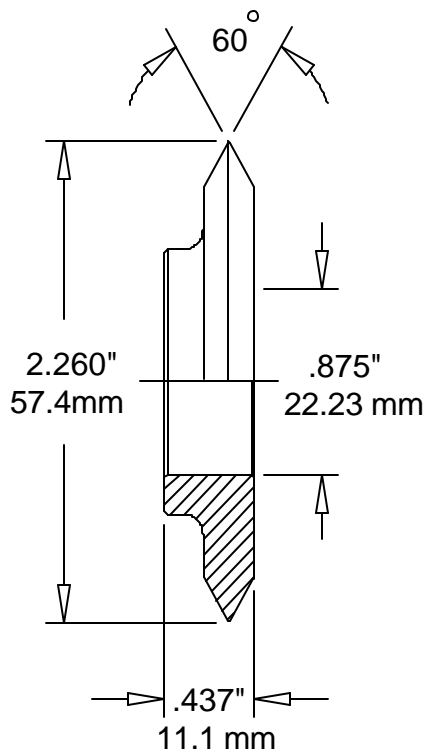


Product Information 14931

DIDDE WEB



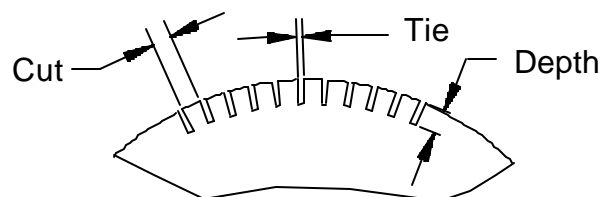
Part Number	Cuts / Inch	Teeth / wheel	Cut Length	Standard Tie Width
14931-0	0	0		
14931-2	2	14	.475"	.030"
14931-3	3	21	.306"	.030"
14931-4	4	28	.222"	.030"
14931-5	5	35	.172"	.030"
14931-6	6	42	.138"	.030"
14931-7	7	50	.111"	.030"
14931-8	8	57	.095"	.030"
14931-10	10	71	.070"	.030"
14931-12	12	85	.053"	.030"
14931-16	16	113	.032"	.030"

meaden mini perfs

14931-3010	30	212	.027"	.006"
14931-4510	45	310	.016"	.006"
14931-5030	50	354	.014"	.006"
14931-6610	66	468	.009"	.006"
14931-7210	72	510	.008"	.006"
14931-3030	30	212	.027"	.006"
14931-4530	45	310	.016"	.006"
14931-5030	50	354	.014"	.006"
14931-6610	66	468	.009"	.006"
14931-7230	72	510	.008"	.006"

R-6 Bearing

No charges Charges for Marking
 Other ties available at no charge up to .060" wide
 Any combination of cuts and ties available on request.



Different wheels not combinable for quantity price.

Minimum Total order is \$50.00

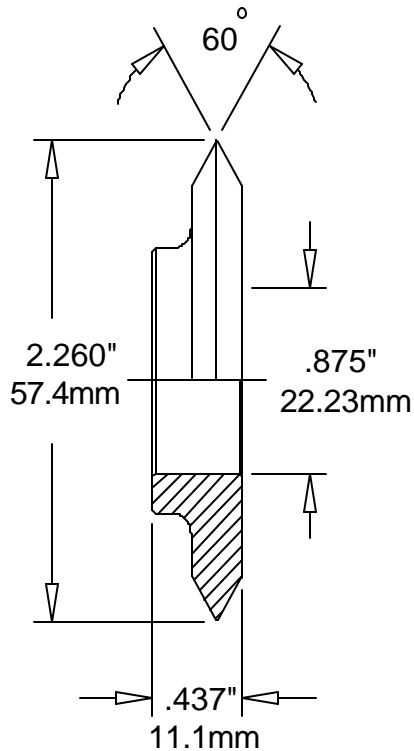
meaden

210 W. 83rd Street, Burr Ridge, IL 60521 USA * Phone 630-655-0888 * FAX 630-655-3012 * www.meadenprinting.com

Product Information 20388

DIDDE WEB

See 14931
for harder wheel



Note: This wheel is
57 - 59 Rc to prevent
anvil damage

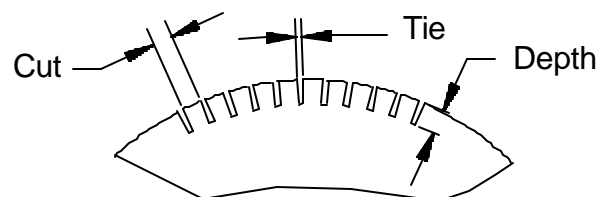
Part Number	Cuts / Inch	Teeth / wheel	Cut Length	Standard Tie Width
20388-0	0	0		
20388-2	2	14	.475"	.030"
20388-3	3	21	.306"	.030"
20388-4	4	28	.222"	.030"
20388-5	5	35	.172"	.030"
20388-6	6	42	.138"	.030"
20388-7	7	50	.111"	.030"
20388-8	8	57	.095"	.030"
20388-10	10	71	.070"	.030"
20388-12	12	85	.053"	.030"
20388-16	16	113	.032"	.030"

meaden mini perfs

20388-3010	30	212	.027"	.006"
20388-4510	45	310	.016"	.006"
20388-5030	50	354	.014"	.006"
20388-6610	66	468	.009"	.006"
20388-7210	72	510	.008"	.006"
20388-3030	30	212	.027"	.006"
20388-4530	45	310	.016"	.006"
20388-5030	50	354	.014"	.006"
20388-6610	66	468	.009"	.006"
20388-7230	72	510	.008"	.006"

R-6 Bearing

No charges Charges for Marking
Other ties available at no charge up to .060" wide
Any combination of cuts and ties available on request.



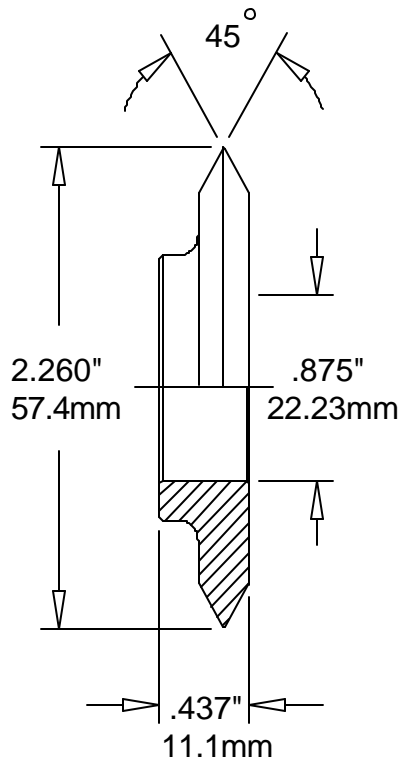
Different wheels not combinable for quantity price.

Minimum Total order is \$50.00

meaden

Product Information 30624

DIDDE WEB



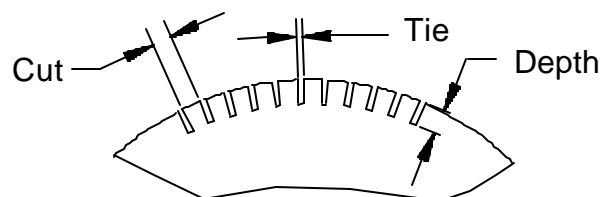
Part Number	Cuts / Inch	Teeth / wheel	Cut Length	Standard Tie Width
30624-0	slitter	0		
30624-2	2	14	.475"	.030"
30624-3	3	21	.306"	.030"
30624-4	4	28	.222"	.030"
30624-5	5	35	.172"	.030"
30624-6	6	42	.138"	.030"
30624-7	7	50	.111"	.030"
30624-8	8	57	.095"	.030"
30624-10	10	71	.070"	.030"
30624-12	12	85	.053"	.030"
30624-16	16	113	.032"	.030"

meaden mini perfs

30624-3010	30	212	.027"	.006"
30624-4510	45	310	.016"	.006"
30624-5010	50	354	.014"	.006"
30624-6610	66	468	.009"	.006"
30624-7210	72	510	.008"	.006"
30624-3030	30	212	.027"	.006"
30624-4530	45	310	.016"	.006"
30624-5030	50	354	.014"	.006"
30624-6630	66	468	.009"	.006"
30624-7230	72	510	.008"	.006"

R-6 Bearing

No charges Charges for Marking
 Other ties available at no charge up to .060" wide
 Any combination of cuts and ties available on request.



Different wheels not combinable for quantity price.

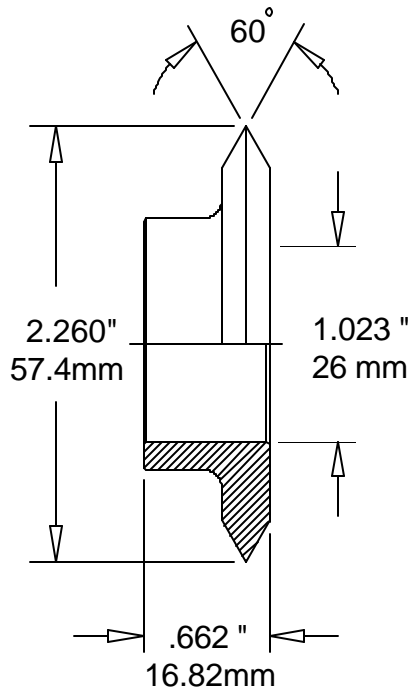
Minimum Total order is \$50.00

meaden

210 W. 83rd Street, Burr Ridge, IL 60521 USA * Phone 630-655-0888 * FAX 630-655-3012 * www.meadenprinting.com

Product Information 31108

DIDDE WEB

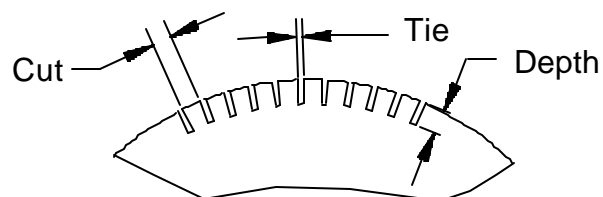


Part Number	Cuts / Inch	Teeth / wheel	Cut Length	Standard Tie Width
31108-0	0	0		
31108-2	2	14	.475"	.030"
31108-3	3	21	.306"	.030"
31108-4	4	28	.222"	.030"
31108-5	5	35	.172"	.030"
31108-6	6	42	.138"	.030"
31108-7	7	50	.111"	.030"
31108-8	8	57	.095"	.030"
31108-10	10	71	.070"	.030"
31108-12	12	85	.053"	.030"
31108-16	16	113	.032"	.030"

meaden mini perfs

31108-3010	30	212	.027"	.006"
31108-4510	45	310	.016"	.006"
31108-5010	50	354	.014"	.006"
31108-6610	66	468	.009"	.006"
31108-7210	72	510	.008"	.006"
31108-3030	30	212	.027"	.006"
31108-4530	45	310	.016"	.006"
31108-5030	50	354	.014"	.006"
31108-6630	66	468	.009"	.006"
31108-7230	72	510	.008"	.006"
31112	Bearing			

No charges Charges for Marking
 Other ties available at no charge up to .060" wide
 Any combination of cuts and ties available on request.



Different wheels not combinable for quantity price.

Minimum Total order is \$50.00

meaden

210 W. 83rd Street, Burr Ridge, IL 60521 USA * Phone 630-655-0888 * FAX 630-655-3012 * www.meadenprinting.com