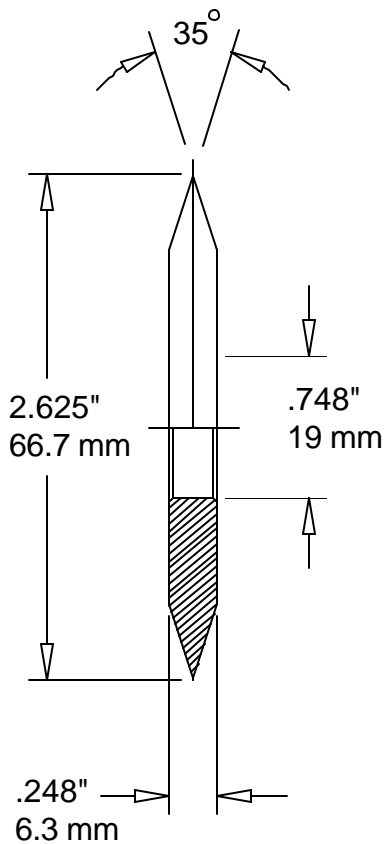


Product Information 14936

sharp=30100



**SCHRIBER/
HARRIS
EDELMANN
ROTATEK**

Part Number	Cuts / inch	Teeth / wheel
14936-0	0	0
14936-2	2	16
14936-3	3	25
14936-4	4	33
14936-5	5	41
14936-6	6	49
14936-7	7	58
14936-8	8	66
14936-10	10	82
14936-12	12	99
14936-16	16	132

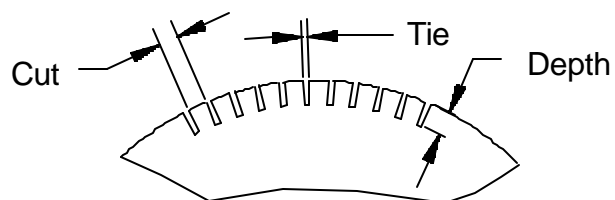
meaden mini perfs

14936-3010	30	248
14936-4510	45	370
14936-5010	50	412
14936-6610	66	544
14936-7210	72	594
14936-3030	30	248
14936-4530	45	370
14936-5030	50	412
14936-6630	66	544
14936-7230	72	594

No charges for marking

Other ties available at no charge up to .060" wide
Any combination of cuts and ties available on request.

bearing C-96-PP



meaden