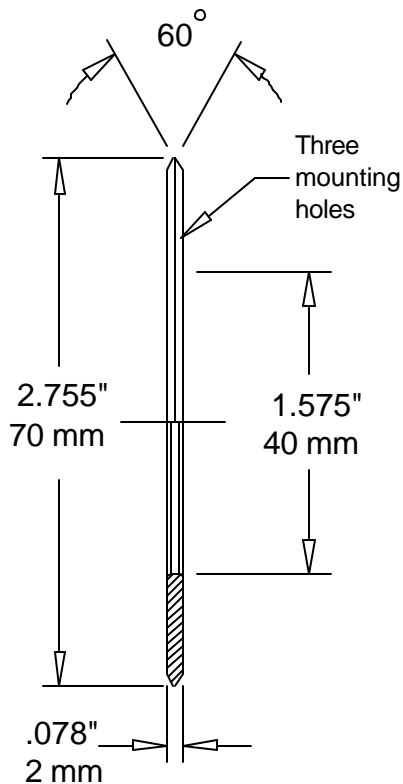


## Product Information 16290 GOEBEL 70 mm

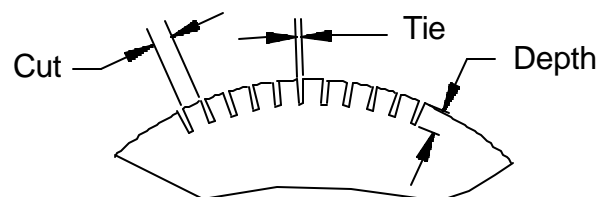


Part Number	Cuts / inch	Teeth / wheel	Cut Length	Standard Tie Width
16290-0	slitter	0		
16290-2	2	17	.478"	.030"
16290-3	3	26	.302"	.030"
16290-4	4	35	.217"	.030"
16290-5	5	43	.171"	.030"
16290-6	6	52	.136"	.030"
16290-7	7	61	.112"	.030"
16290-8	8	69	.095"	.030"
16290-10	10	86	.070"	.030"
16290-12	12	104	.053"	.030"
16290-16	16	138	.033"	.030"

### meaden mini perfs

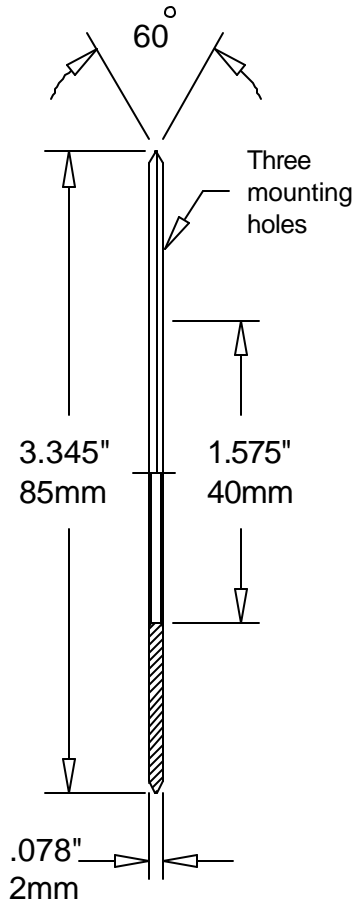
16290-3010	30	260	.027"	.006"
16290-4510	45	388	.016"	.006"
16290-5010	50	432	.014"	.006"
16290-6610	66	570	.009"	.006"
16290-7210	72	622	.008"	.006"
16290-3030	30	260	.027"	.006"
16290-4530	45	388	.016"	.006"
16290-5030	50	432	.014"	.006"
16290-6630	66	570	.009"	.006"
16290-7230	72	622	.008"	.006"

No charges Charges for Marking  
 Other ties available at no charge up to .060" wide  
 Any combination of cuts and ties available on request.



Different wheels not combinable for quantity price.

## Product Information 16893 GOEBEL 85 mm

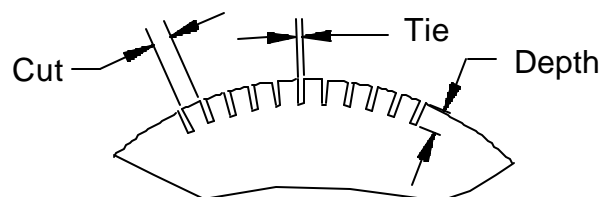


Part Number	Cuts / inch	Teeth / wheel	Cut Length	Standard Tie Width
16893-0	0	0		
16893-2	2	21	.470"	.030"
16893-3	3	32	.298"	.030"
16893-4	4	42	.220"	.030"
16893-5	5	53	.168"	.030"
16893-6	6	63	.137"	.030"
16893-7	7	74	.112"	.030"
16893-8	8	84	.095"	.030"
16893-10	10	105	.070"	.030"
16893-12	12	126	.053"	.030"
16893-16	16	168	.033"	.030"

### meaden mini perfs

16893-3010	30	314	.027"	.006"
16893-4510	45	472	.016"	.006"
16893-5010	50	524	.014"	.006"
16893-6610	66	692	.009"	.006"
16893-7210	72	756	.008"	.006"
16893-3030	30	314	.027"	.006"
16893-4530	45	472	.016"	.006"
16893-5030	50	524	.014"	.006"
16893-6630	66	692	.009"	.006"
16893-7230	72	756	.008"	.006"

No charges Charges for Marking  
 Other ties available at no charge up to .060" wide  
 Any combination of cuts and ties available on request.



Different wheels not combinable for quantity price.