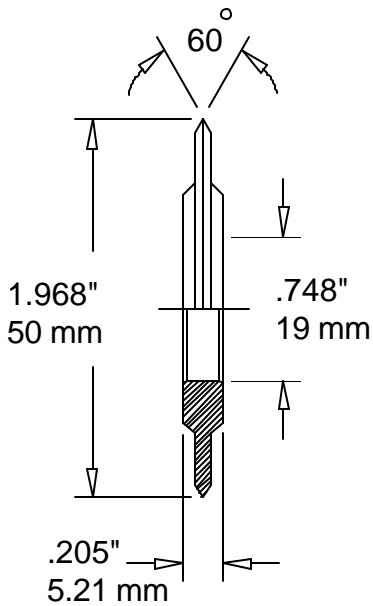


Pricing Information 15706

sharp=21160



**DRENT
GIEBELER
GRAPHA
ROTATEK**

Part Number	Cuts / inch	Teeth / wheel
15706-0	0	0
15706-2	2	12
15706-3	3	19
15706-4	4	25
15706-5	5	31
15706-6	6	37
15706-7	7	43
15706-8	8	50
15706-10	10	62
15706-12	12	74
15706-16	16	99

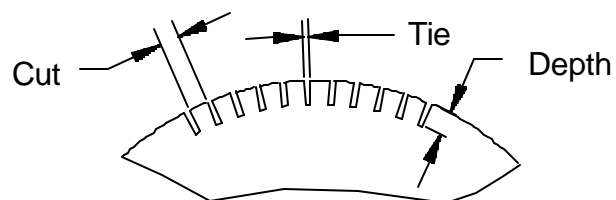
meaden mini perfs

15706-3010	30	186
15706-4510	45	278
15706-5010	50	309
15706-6610	66	408
15706-7210	72	445
15706-3030	30	186
15706-4530	45	278
15706-5030	50	306
15706-6630	66	408
15706-7230	72	445

No charges for marking

Other ties available at no charge up to .060" wide

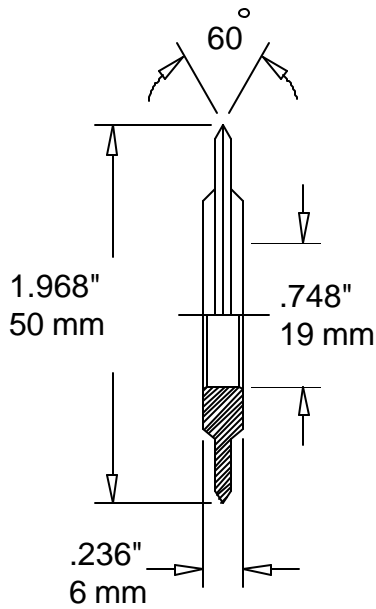
Any combination of cuts and ties available on request.



meaden

Pricing Information 17767

sharp=21158



Part Number	Cuts / inch	Teeth / wheel
17767-0	0	0
17767-2	2	12
17767-3	3	19
17767-4	4	25
17767-5	5	31
17767-6	6	37
17767-7	7	43
17767-8	8	50
17767-10	10	62
17767-12	12	74
17767-16	16	99

meaden mini perfs

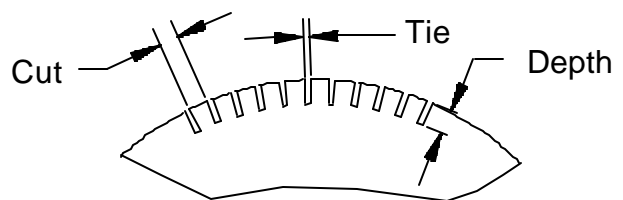
17767-3010	30	186
17767-4510	45	278
17767-5010	50	309
17767-6610	66	408
17767-7210	72	445
17767-3030	30	186
17767-4530	45	278
17767-5030	50	309
17767-6630	66	408
17767-7230	72	445

MORGAN

No charges for marking

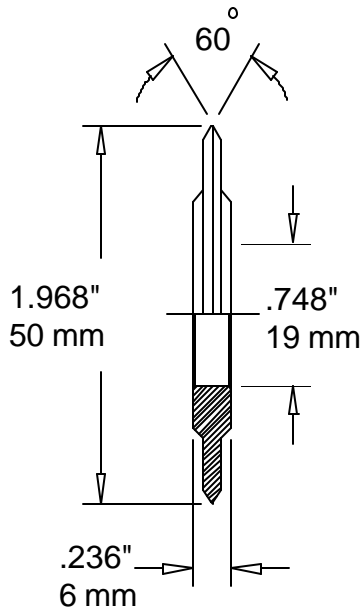
Other ties available at no charge up to .060" wide

Any combination of cuts and ties available on request.



Pricing Information 32011

This blade has a true-sharp tip for face or liner slitting.



**AMERICAN DIE
TECHNOLOGY
ADVANCED
MULTI-SCORER**

Part Number	Cuts / inch	Teeth / wheel
32011-0	0	0
32011-2	2	12
32011-3	3	19
32011-4	4	25
32011-5	5	31
32011-6	6	37
32011-7	7	43
32011-8	8	50
32011-10	10	62
32011-12	12	74
32011-16	16	99

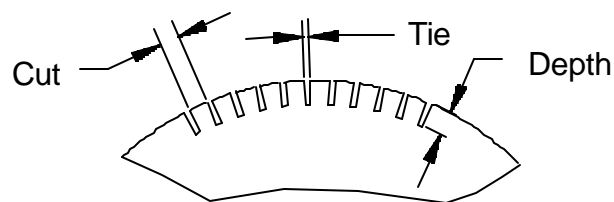
meaden mini perfs

32011-3010	30	186
32011-4510	45	278
32011-5010	50	309
32011-6610	66	408
32011-7210	72	445
32011-3030	30	186
32011-4530	45	278
32011-5030	50	309
32011-6630	66	408
32011-7230	72	445

No charges for marking

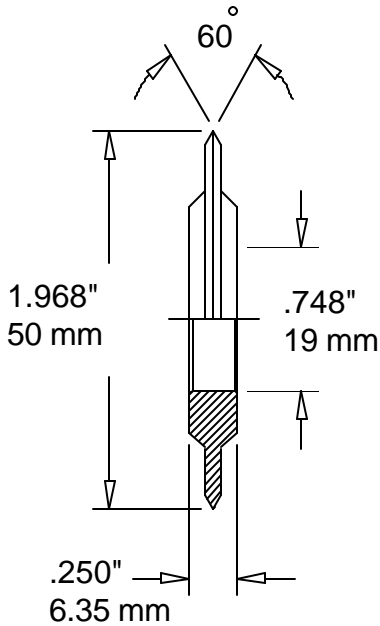
Other ties available at no charge up to .060" wide

Any combination of cuts and ties available on request.



meaden

Pricing Information 15425



Part Number	Cuts / inch	Teeth / wheel
15425-0	0	0
15425-2	2	12
15425-3	3	19
15425-4	4	25
15425-5	5	31
15425-6	6	37
15425-7	7	43
15425-8	8	50
15425-10	10	62
15425-12	12	74
15425-16	16	99

meaden mini perfs

15425-3010	30	186
15425-4510	45	278
15425-5010	50	309
15425-6610	66	408
15425-7210	72	445
15425-3030	30	186
15425-4530	45	278
15425-5030	50	309
15425-6630	66	408
15425-7230	72	445

**DRENT
CODIMAG
GIEBELER
ECH-WILL**

**bearing C-96-PP
\$4.00 each**

No charges for marking
Other ties available at no charge up to .060" wide
Any combination of cuts and ties available on request.

