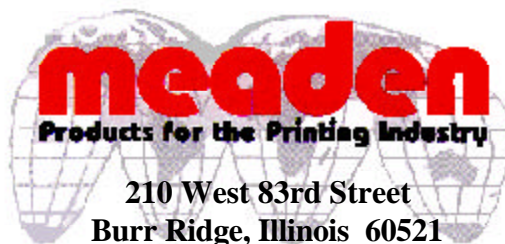


meaden

Crimp Locks & Collator Accessories



210 West 83rd Street
Burr Ridge, Illinois 60521
Telephone: 630/655-0888
FAX: 630/655-3012
www.meadenprinting.com

Table of Contents

Product	Page
Crimps.....	4-24
Pins & buttons.....	25
Gib bolts & nuts.....	26-27
Knurl locks	28

Meaden Return Policy

Stocked, standard catalog items may be returned within 30 days of invoice, subject to a 10% restocking charge. All returns must be in resellable condition and in their original packaging. Open packages are not returnable. An Authorized Return Form (ARF) number must be issued before a return will be accepted. Credits will be issued only after the approval of Quality Control. Any product that does not meet these requirements will be returned to the customer.

No specials of any kind are returnable! Specials made per your instructions are not stock items, and not returnable. Examples of specials are irregular shaped punches and dies, and all special cut perforator wheels.

ALL PRICES SUBJECT TO CHANGE WITHOUT NOTICE!

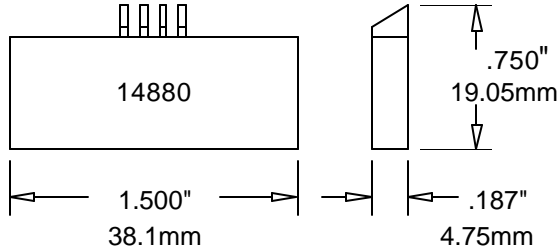
Crimp Table of Contents

Collator	Page
Ashton	5
Bama	6
Bunch	9-12
Didde Web	7-8
Form Flo	9-12
Form Master	14
FME	9-12
Goebel	15
Hamilton	9-13
Morgan	16
Nale	9-12
Paper Converting	12
Rotatek	17-19
Sanden	5
Schober	20
Schriber	17-19
Seailles & Tison	21
Taiyo	22
Timsons	23
Western Gear	24

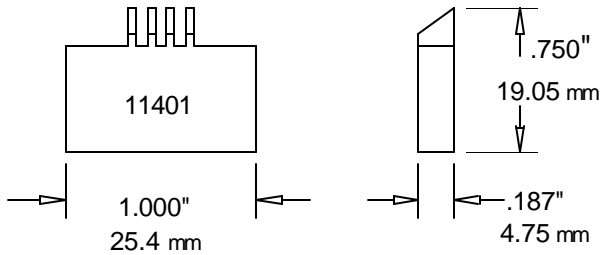
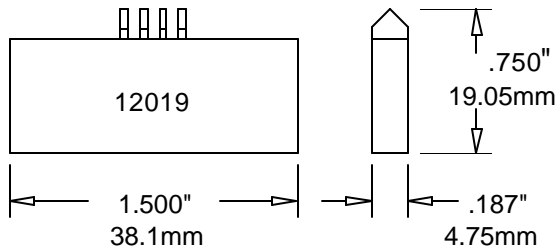
COLLATORS

CRIMPS

ASHTON-SANDEN



Part Number	LENGTH	WIDTH	HEIGHT	TOOTH WIDTH	TOOTH SPACING
14880	1.500"	.187"	.750"	.040"	.062"
Centered	38.1 mm	4.75 mm	19.05 mm	1.02 mm	1.58 mm
12019	1.500"	.187"	.750"	.040"	.062"
Dbl Bvl	38.1 mm	4.75 mm	19.05 mm	1.02 mm	1.58 mm

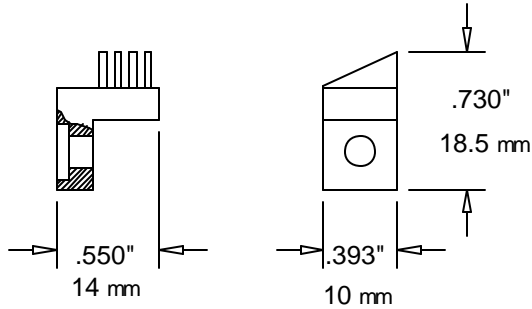


Part Number	LENGTH	WIDTH	HEIGHT	TOOTH WIDTH	TOOTH SPACING
11401	1.000"	.187"	.750"	.040"	.062"
	25.4 mm	4.75 mm	19.05 mm	1.0 mm	1.57 mm

COLLATORS

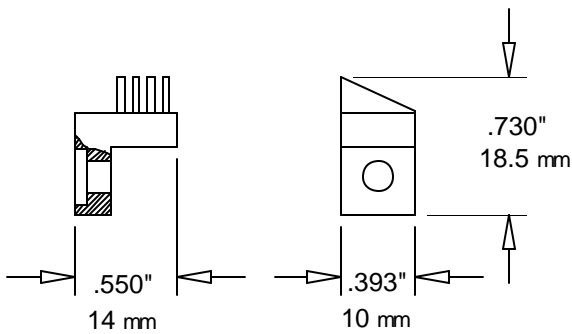
CRIMPS

BAMA



17579

Part Number	LENGTH	WIDTH	HEIGHT	TOOTH WIDTH	TOOTH SPACING
17579	.550"	.393"	.730"	.038"	.041"
LEFT	14 mm	10 mm	18.5 mm	.97 mm	1.1 mm
17580	.550"	.393"	.730"	.038"	.041"
RIGHT	14 mm	10 mm	18.5 mm	.97 mm	1.1 mm

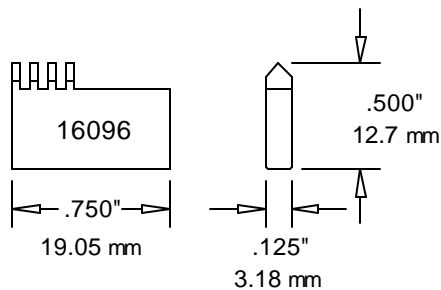
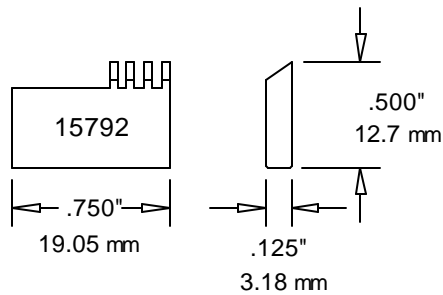
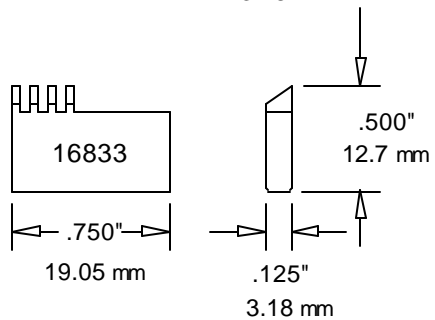
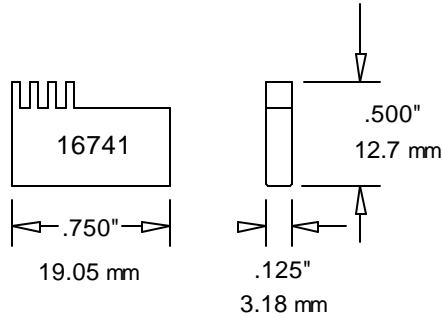


17580

COLLATORS

CRIMPS

DIDDE WEB PRESS

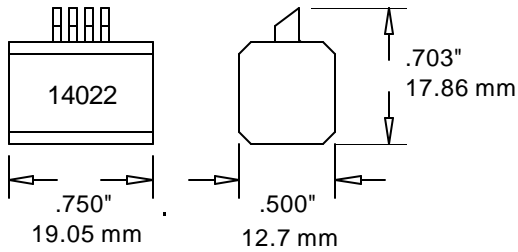


Part Number	LENGTH	WIDTH	HEIGHT	TOOTH WIDTH	TOOTH SPACING
16741	.750"	.125"	.500"	.037"	.047"
	19.05 mm	3.18 mm	12.7 mm	1.4 mm	1.19 mm
16833	.750"	.125"	.500"	.037"	.047"
Left	19.05 mm	3.18 mm	12.7 mm	.94 mm	1.19 mm
15792	.750"	.125"	.500"	.037"	.047"
Right	19.05 mm	3.18 mm	12.7 mm	.94 mm	1.19 mm
16096	.750"	.125"	.500"	.037"	.047"
Dbl Bvl	19.05 mm	3.18 mm	12.7 mm	.94 mm	1.19 mm

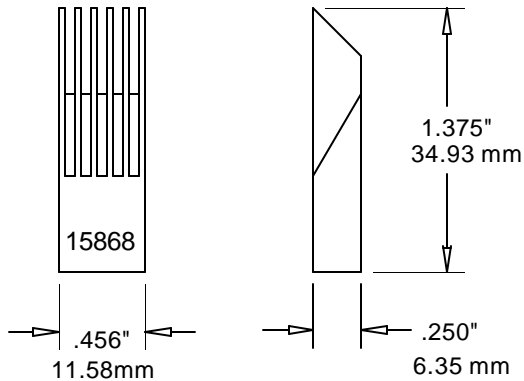
COLLATORS

CRIMPS

DIDDE WEB PRESS



Part Number	LENGTH	WIDTH	HEIGHT	TOOTH WIDTH	TOOTH SPACING
14022	.750"	.500"	.703"	.037"	.047"
	19.05 mm	12.7 mm	17.86 mm	.94 mm	1.19 mm
15868	.456"	.250"	1.375"	.037"	.047"
Stripper	11.58 mm	6.35 mm	34.93 mm	.94 mm	1.19 mm



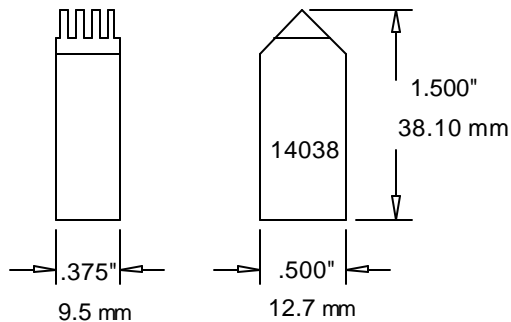
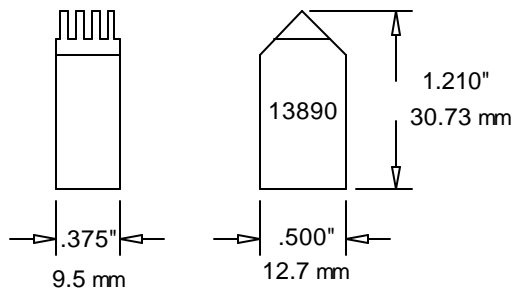
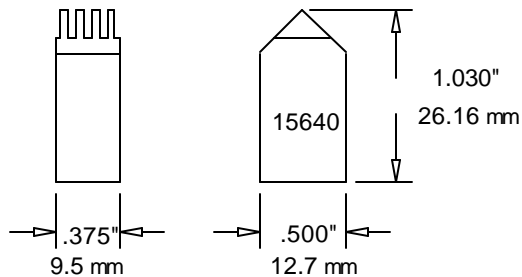
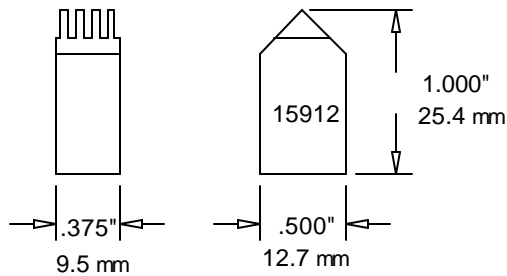
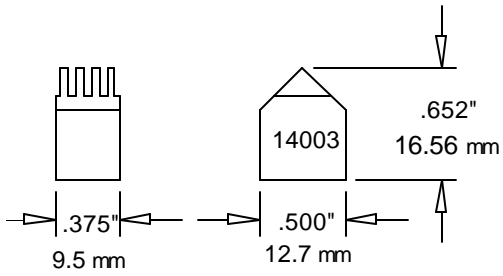
Brass Stripper

COLLATORS

CRIMPS

STYLE 11 .044" tooth

BUNCH F M E FORM FLO
HAMILTON NALE



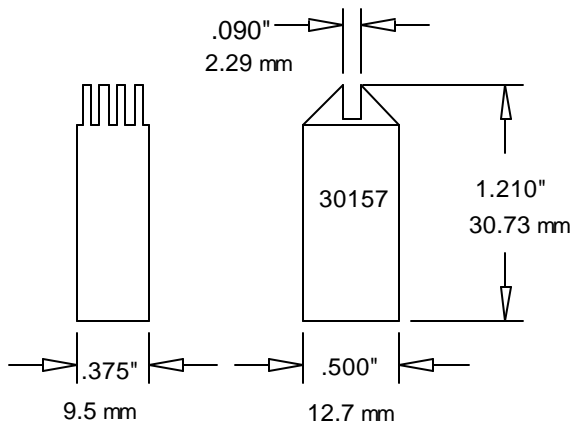
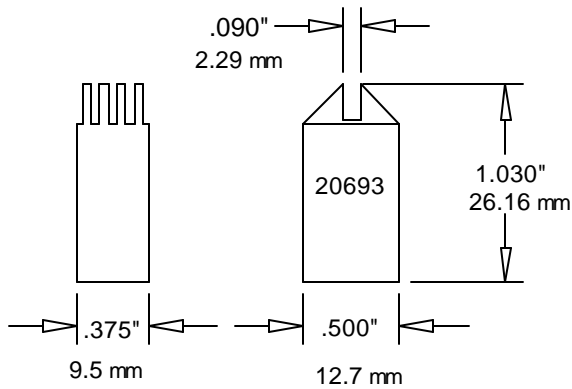
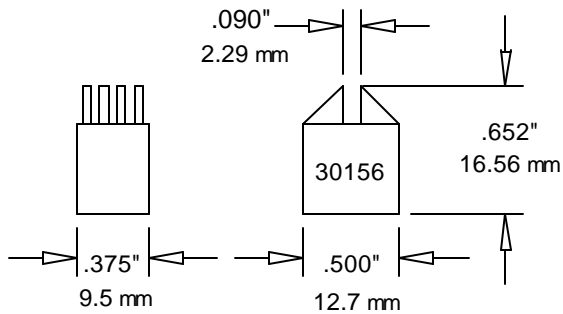
Part Number	LENGTH	WIDTH	HEIGHT	TOOTH WIDTH	TOOTH SPACING
14003	3/8"	1/2"	.652"	.044"	.046"
	9.5 mm	12.7 mm	16.56 mm	1.12 mm	1.17 mm
15912	3/8"	1/2"	1.000"	.044"	.046"
	9.5 mm	12.7 mm	25.4 mm	1.12 mm	1.17 mm
15640	3/8"	1/2"	1.030"	.044"	.046"
	9.5 mm	12.7 mm	26.16 mm	1.12 mm	1.17 mm
13890	3/8"	1/2"	1.210"	.044"	.046"
	9.5 mm	12.7 mm	30.73 mm	1.12 mm	1.17 mm
14038	3/8"	1/2"	1.500"	.044"	.046"
	9.5 mm	12.7 mm	38.10 mm	1.12 mm	1.17 mm

COLLATORS

CRIMPS

Double Crimps wide slot

**BUNCH F M E FORM FLO
HAMILTON NALE**



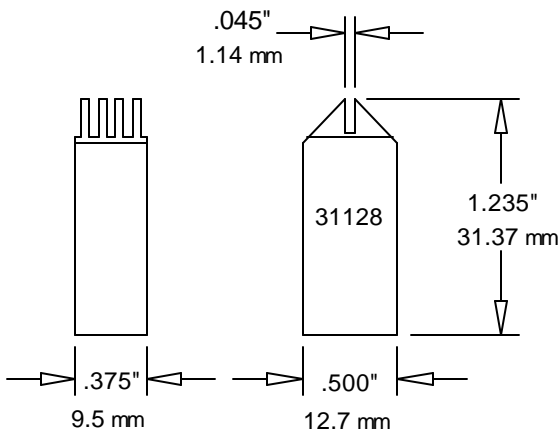
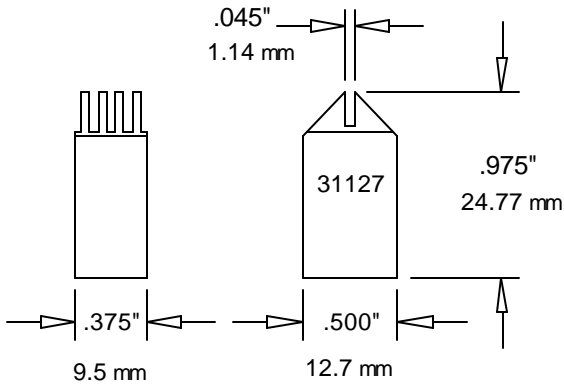
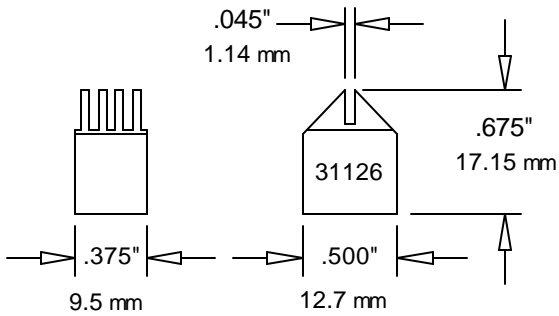
Part Number	LENGTH	WIDTH	HEIGHT	TOOTH WIDTH	TOOTH SPACING
30156	3/8"	1/2"	.652"	.044"	.046"
	9.5 mm	12.7 mm	16.56 mm	1.12 mm	1.17 mm
20693	3/8"	1/2"	1.030"	.044"	.046"
	9.5 mm	12.7 mm	26.16 mm	1.12 mm	1.17 mm
30157	3/8"	1/2"	1.210"	.044"	.046"
	9.5 mm	12.7 mm	30.73 mm	1.12 mm	1.17 mm

COLLATORS

CRIMPS

Double Crimps thin slot

BUNCH F M E FORM FLO
HAMILTON NALE



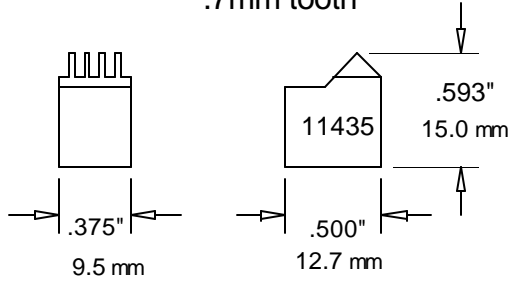
Part Number	LENGTH	WIDTH	HEIGHT	TOOTH WIDTH	TOOTH SPACING
31126	3/8" 9.5 mm	1/2" 12.7 mm	.675" 17.15 mm	.044" 1.12 mm	.046" 1.16 mm
31127	3/8" 9.5 mm	1/2" 12.7 mm	.975" 24.77 mm	.044" 1.12 mm	.046" 1.16 mm
31128	3/8" 9.5 mm	1/2" 12.7 mm	1.235" 31.37 mm	.044" 1.12 mm	.046" 1.16 mm

COLLATORS

CRIMPS

Right Angle Crimps

STYLE 8 .028" tooth
.7mm tooth



BUNCH F M E FORM FLO

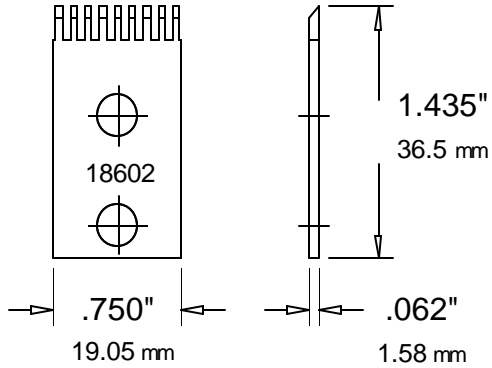
HAMILTON NALE
PAPER CONVERTING

Part Number	LENGTH	WIDTH	HEIGHT	TOOTH WIDTH	TOOTH SPACING
11435	3/8"	1/2"	.593"	.028"	.053"
	9.5 mm	12.7 mm	15. mm	.7 mm	1.35 mm

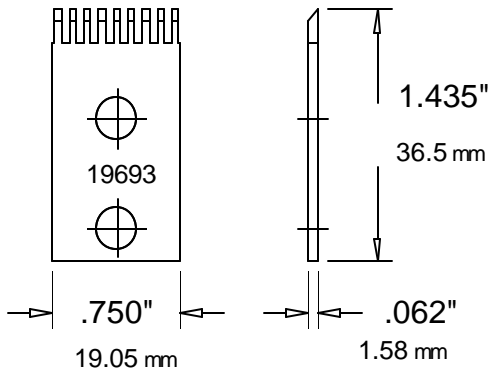
COLLATORS

CRIMPS

HAMILTON Brass Strippers



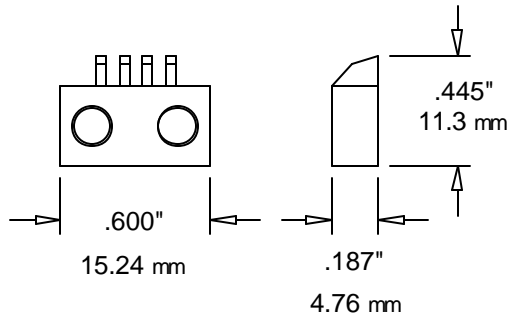
Part Number	LENGTH	WIDTH	HEIGHT	TOOTH WIDTH	TOOTH SPACING
18602	.750"	.062"	1.435"	.039"	.051"
	19.05 mm	1.58 mm	36.5 mm	1.0 mm	1.3 mm
19693	.750"	.062"	1.435"	.036"	.048"
	19.05 mm	1.58 mm	36.5 mm	.91 mm	1.22 mm



COLLATORS

CRIMPS

FORM MASTER Universal Mark II

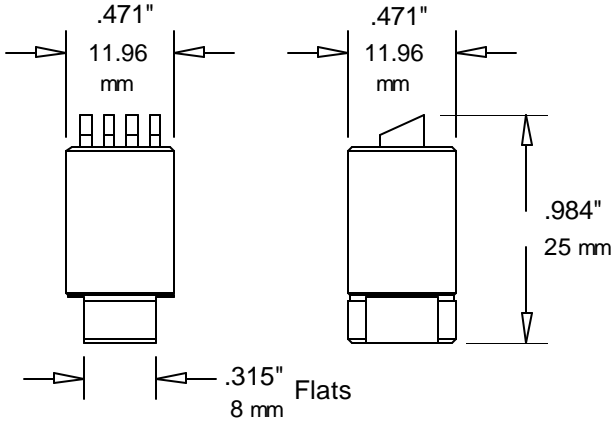


Part Number	LENGTH	WIDTH	HEIGHT	TOOTH WIDTH	TOOTH SPACING
19848	.600"	.187"	.445"	.042"	.050"
	15.24 mm	4.75 mm	11.3 mm	1.07 mm	1.27 mm

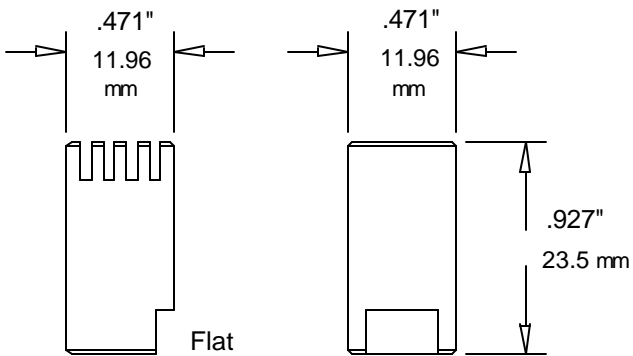
COLLATORS

CRIMPS

GOEBEL



Part Number	LENGTH	WIDTH	HEIGHT	TOOTH WIDTH	TOOTH SPACING
15321	.471"	.471"	.984"	.039"	.050"
	11.96 mm	11.96 mm	25 mm	1.0 mm	1.27 mm
15322	.471"	.471"	.927"	.050"	.039"
Hard Anvil	11.96 mm	11.96 mm	23.5 mm	1.0 mm	1.27 mm

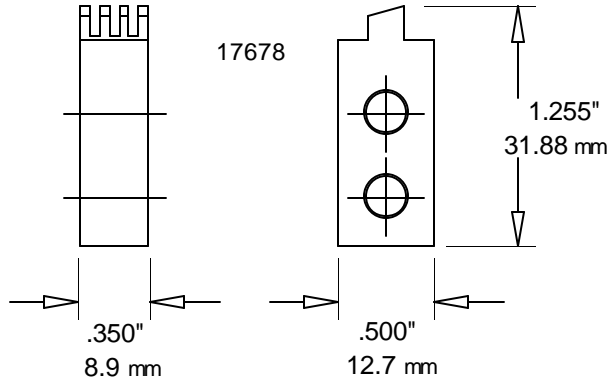


Hardened Anvil

COLLATORS

CRIMPS

MORGAN

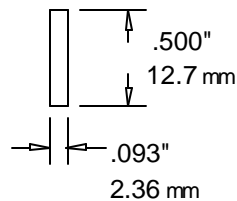
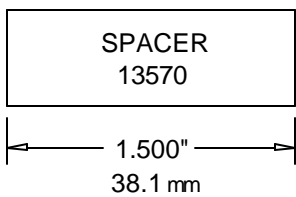
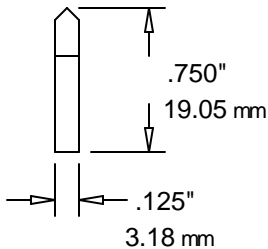
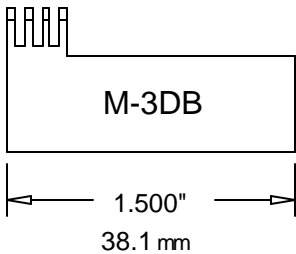
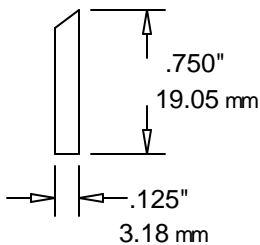
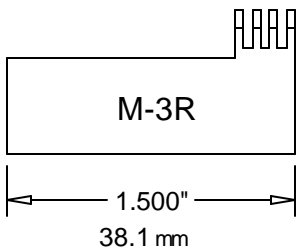
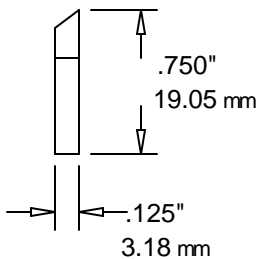
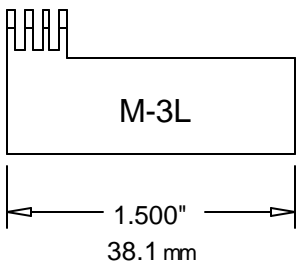
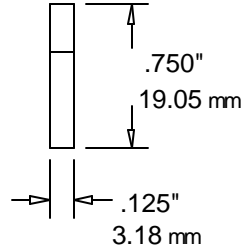
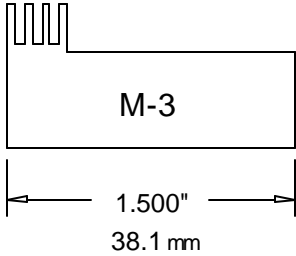


Part Number	WIDTH	LENGTH	HEIGHT	TOOTH WIDTH	TOOTH SPACING
17678	.343"	.500"	1.255"	.050"	.050"
	8.9 mm	12.7 mm	31.88 mm	1.27 mm	1.27 mm

COLLATORS

CRIMPS

HARRIS / SCHRIBER ROTATEK



Part Number	LENGTH	WIDTH	HEIGHT	TOOTH WIDTH	TOOTH SPACING
M-3	1.500" 38.1 mm	.125" 3.18 mm	.750" 19.05 mm	.040" 1.02 mm	.050" 1.27 mm
M-3-L	1.500" 38.1 mm	.125" 3.18 mm	.750" 19.05 mm	.040" 1.02 mm	.050" 1.27 mm
M-3-R	1.500" 38.1 mm	.125" 3.18 mm	.750" 19.05 mm	.040" 1.02 mm	.050" 1.27 mm
M-3-DB	1.500" 38.1 mm	.125" 3.18 mm	.750" 19.05 mm	.040" 1.02 mm	.050" 1.27 mm
13570 SPACER	1.500" 38.1 mm	.093" 2.36 mm	.500" 12.7 mm		

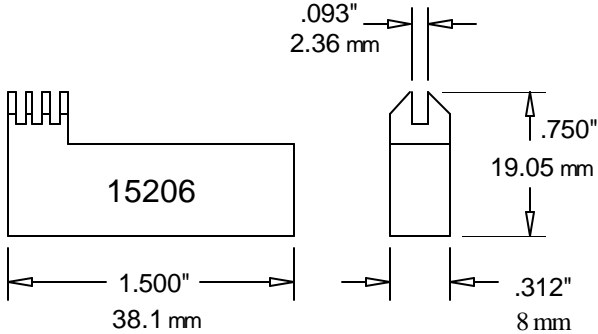
COLLATORS

CRIMPS

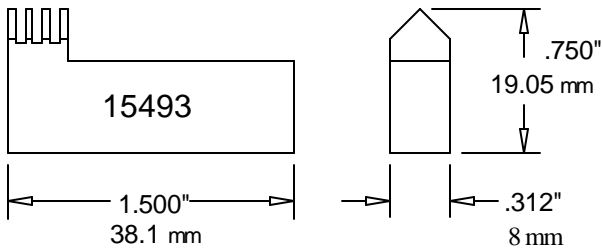
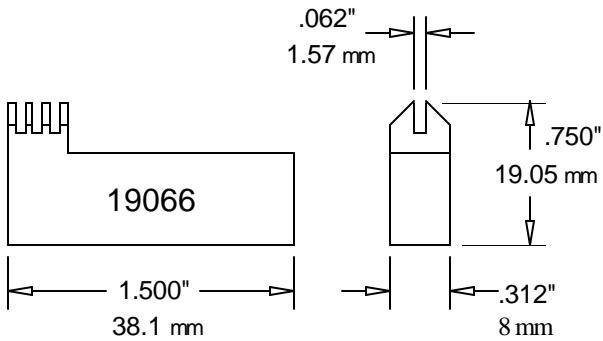
Solid Crimps

HARRIS / SCHRIBER

ROTATEK



Part Number	LENGTH	WIDTH	HEIGHT	TOOTH WIDTH	TOOTH SPACING
15206	1.500"	.312"	.750"	.040"	.050"
	38.1 mm	7.92 mm	19.05 mm	1.02 mm	1.27 mm
19066	1.500"	.312"	.750"	.040"	.050"
	38.1 mm	7.92 mm	19.05 mm	1.02 mm	1.27 mm
15493	1.500"	.312"	.750"	.040"	.050"
	38.1 mm	7.92 mm	19.05 mm	1.02 mm	1.27 mm

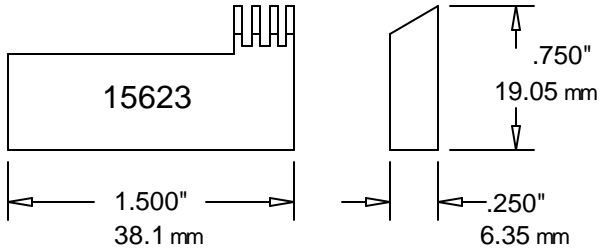


COLLATORS

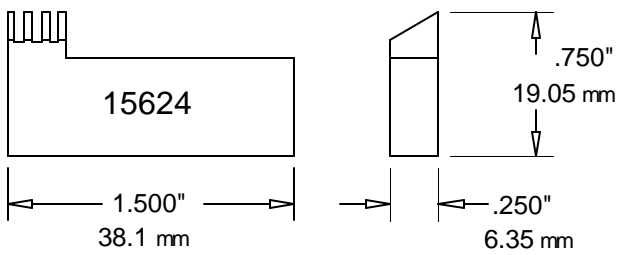
CRIMPS

Solid Crimps

HARRIS / SCHRIBER ROTATEK



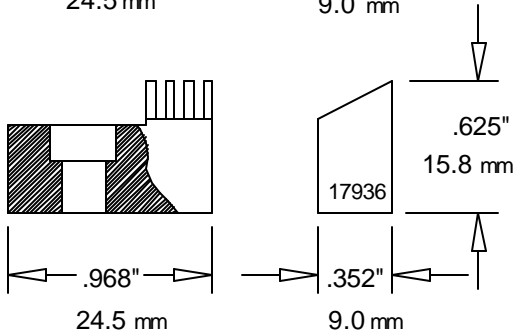
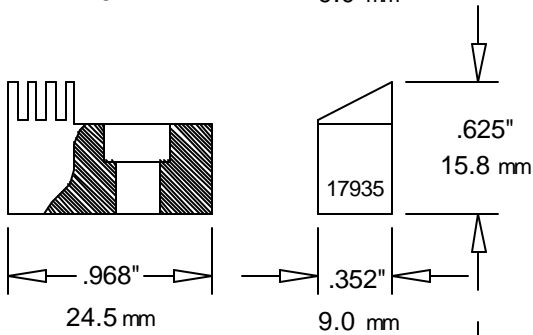
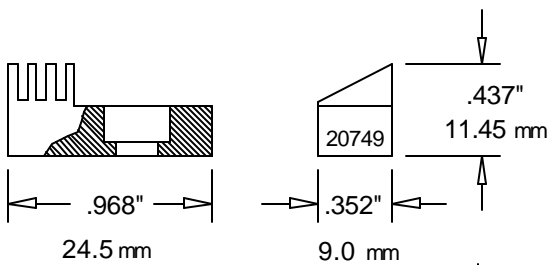
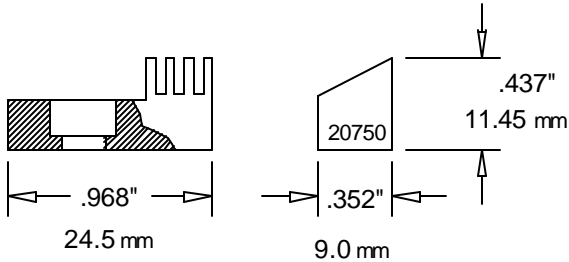
Part Number	LENGTH	WIDTH	HEIGHT	TOOTH WIDTH	TOOTH SPACING
15623	1.500"	.250"	.750"	.040"	.050"
Right	38.1 mm	6.35 mm	19.05 mm	1.02 mm	1.27 mm
15624	1.500"	.250"	.750"	.040"	.050"
Left	38.1 mm	6.35 mm	19.05 mm	1.02 mm	1.27 mm



COLLATORS

CRIMPS

SCHOBER

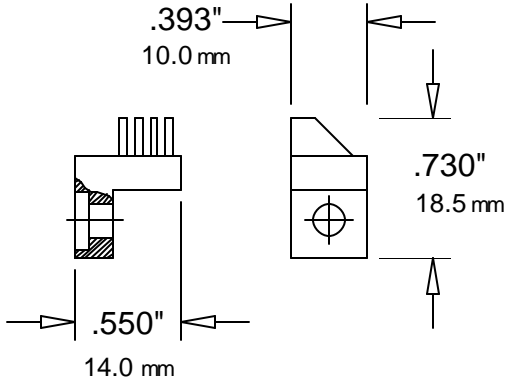


Part Number	LENGTH	WIDTH	HEIGHT	TOOTH WIDTH	TOOTH SPACING
20750	.968"	.352"	.437"	.040"	.050"
Right	24.5 mm	9.0 mm	11.45 mm	1.02 mm	1.27 mm
20749	.968"	.352"	.437"	.040"	.050"
Left	24.5 mm	9.0 mm	11.45 mm	1.02 mm	1.27 mm
17935	.968"	.352"	.625"	.040"	.050"
Left	24.5 mm	9.0 mm	15.8 mm	1.02 mm	1.27 mm
17936	.968"	.352"	.625"	.040"	.050"
Right	24.5 mm	9.0 mm	15.8 mm	1.02 mm	1.27 mm

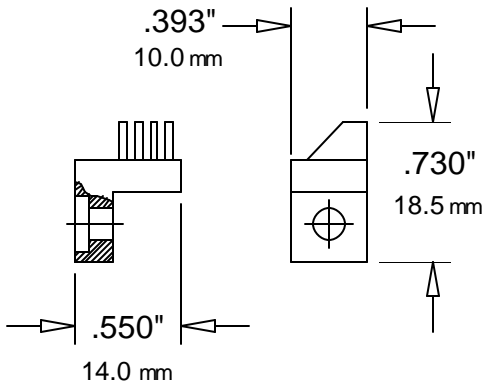
COLLATORS

CRIMPS

SEAILLES & TISON



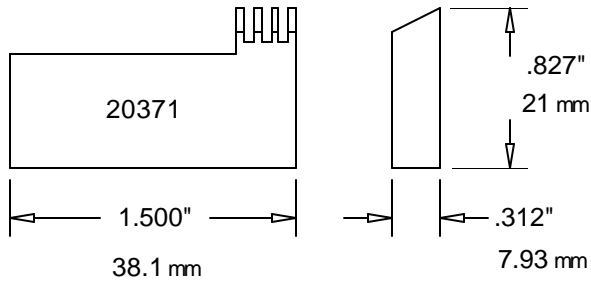
Part Number	LENGTH	WIDTH	HEIGHT	TOOTH WIDTH	TOOTH SPACING
17688	.550"	.393"	.730"	.040"	.039"
Right	14.0 mm	18.5 mm	10.0 mm	1.02 mm	1.0 mm
17689	.550"	.393"	.730"	.040"	.039"
Left	14.0 mm	18.5 mm	10.0 mm	1.02 mm	1.0 mm



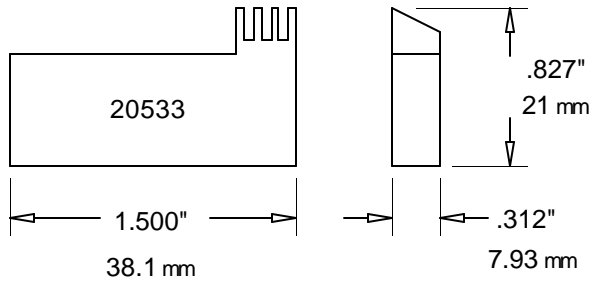
COLLATORS

CRIMPS

TAIYO



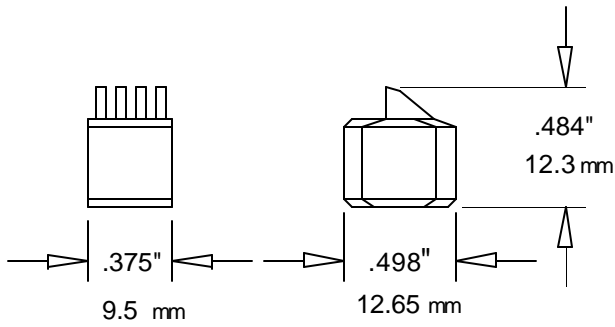
Part Number	LENGTH	WIDTH	HEIGHT	TOOTH WIDTH	TOOTH SPACING
20371	1.500"	.312"	.827"	.040"	.050"
Right	38.1 mm	7.93 mm	21 mm	1.02 mm	1.27 mm
20533	1.500"	.312"	.827"	.040"	.050"
Left	38.1 mm	7.93 mm	21 mm	1.02 mm	1.27 mm



COLLATORS

CRIMPS

TIMSONS

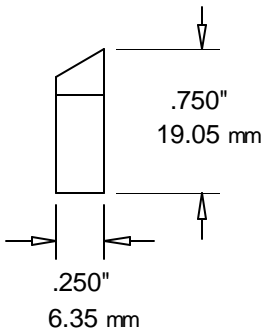
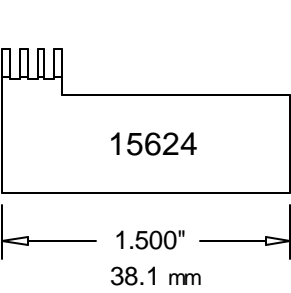
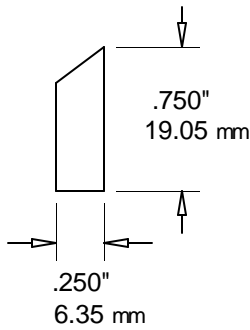
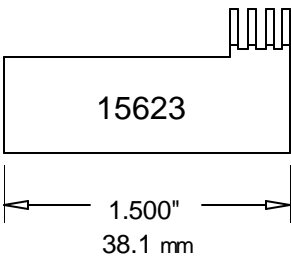
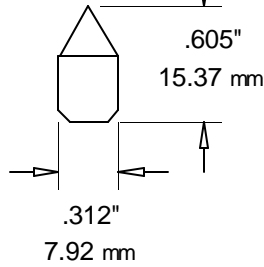
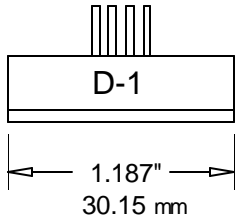


Part Number	LENGTH	WIDTH	HEIGHT	TOOTH WIDTH	TOOTH SPACING
19845	.375"	.498"	.484"	.044"	.046"
	9.5 mm	12.65 mm	12.3 mm	1.12 mm	1.17 mm

COLLATORS

CRIMPS

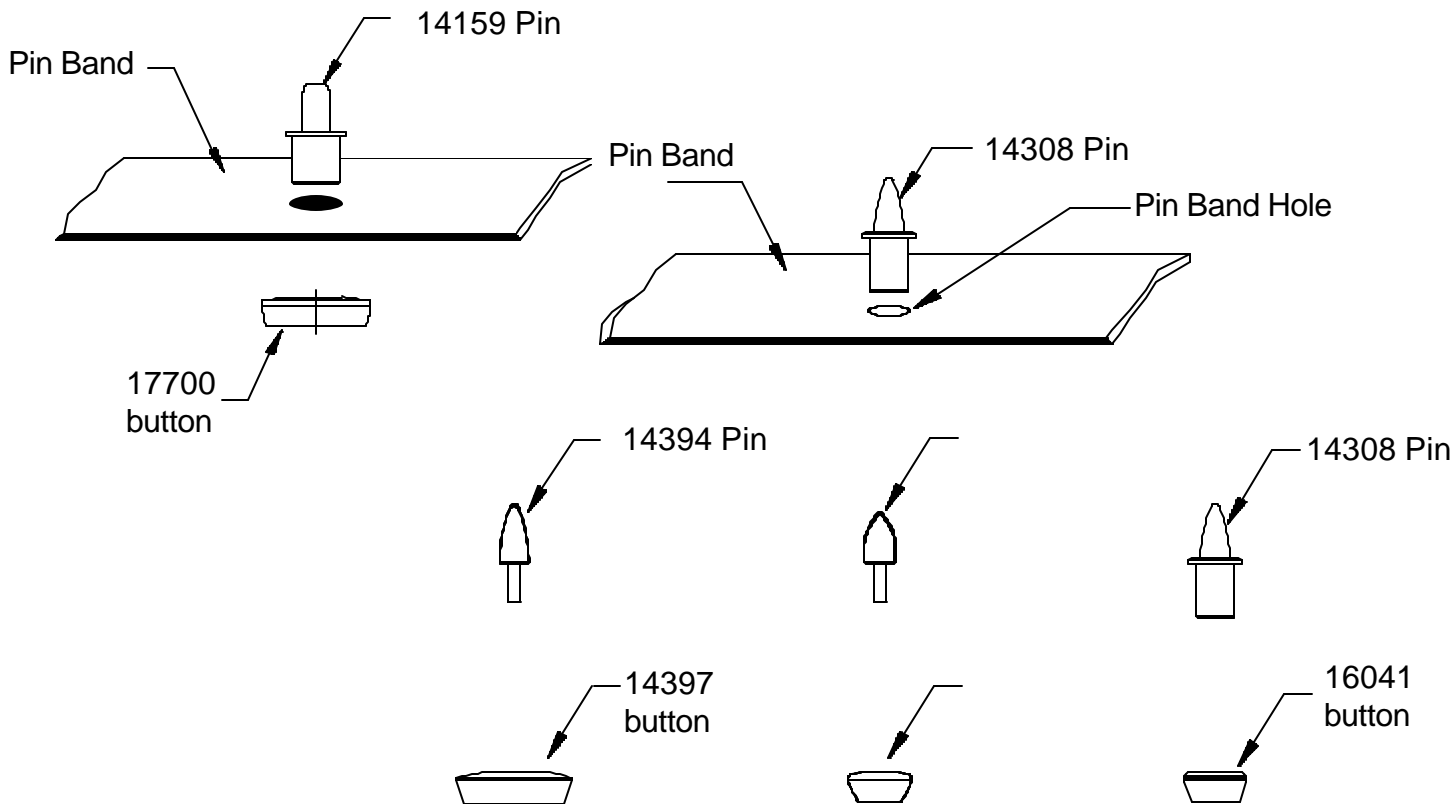
WESTERN GEAR



Part Number	LENGTH	WIDTH	HEIGHT	TOOTH WIDTH	TOOTH SPACING
D-1	1.187"	.312"	.607"	.040"	.050"
	30.15 mm	7.92mm	15.37 mm	1.02 mm	1.27mm
15623	1.500"	.250"	.750"	.040"	.050"
Right	38.1 mm	6.35 mm	19.05 mm	1.02 mm	1.27mm
15624	1.500"	.250"	.750"	.040"	.050"
Left	38.1 mm	6.35 mm	19.05 mm	1.02 mm	1.27mm

COLLATORS

PINS and BUTTONS

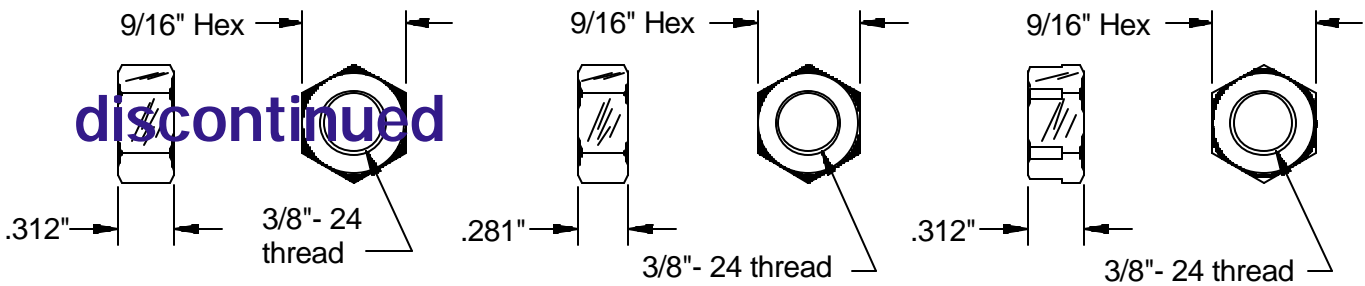
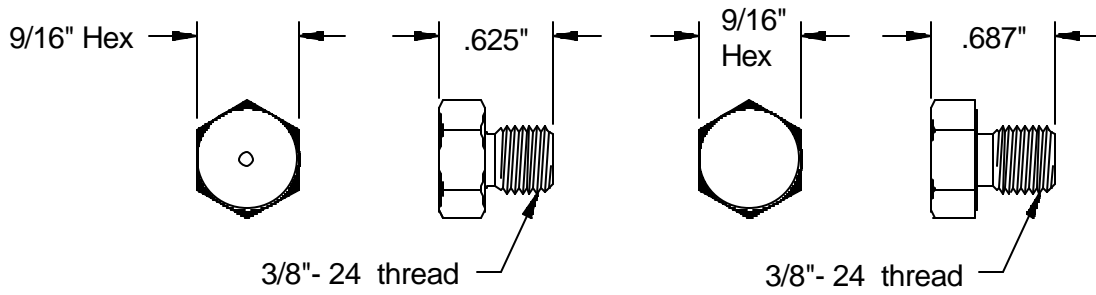
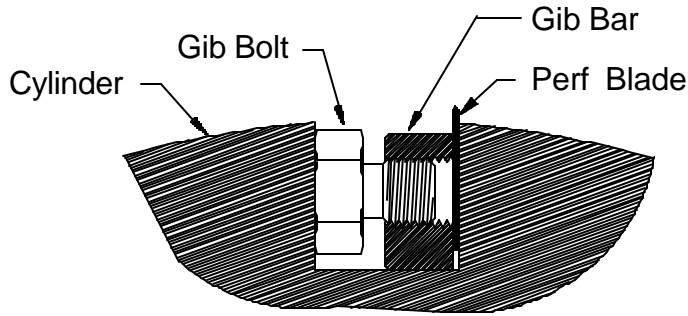


Pin Band Pins & Buttons

Part Number	Material	Length	Diameter	Band Hole
14159 pin	Steel	.530"	.312"	.250"
14308 pin	Steel	.250"	.141"	.187"
14394 pin	Steel	.281"	.141"	.062"
17700 button	Delrin	.156"	.562"	.250"
14397 button	Steel	.156"	.562"	.187"
16041 button	Steel	.156"	.312"	.062"

COLLATORS

GIB BAR BOLTS & NUTS

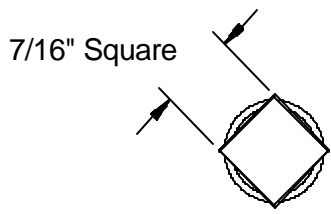
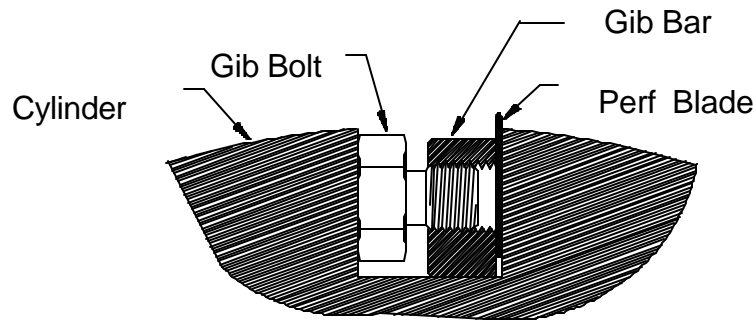


Gib Bolts & Nuts

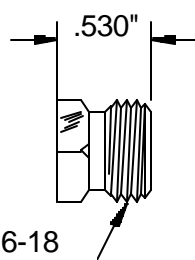
Part Number	Description	Thread	Length
17430	9/16" Hex Gib Bolt	3/8"-24	.625"
14262	9/16" Hex Gib Bolt	3/8"-24	.687"
15309	9/16" Hex Lock Nut	3/8"-24	.281"
17212	9/16" nut w/relief undercut	3/8"-24	.312"

COLLATORS

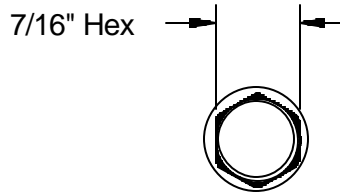
GIB BAR BOLTS & NUTS



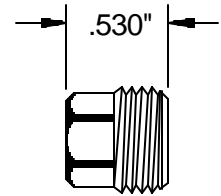
Part #16076



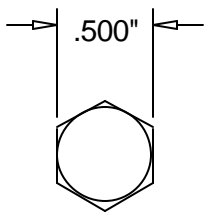
9/16-18 thread



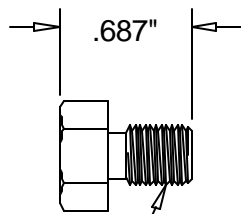
Part #16419



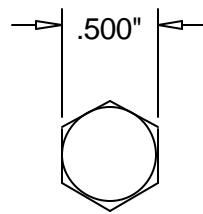
9/16-18 thread



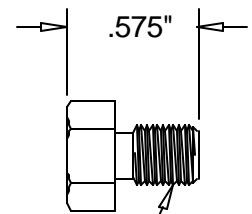
Part #31759



5/16-18 thread



Part #31931



5/16-18 thread

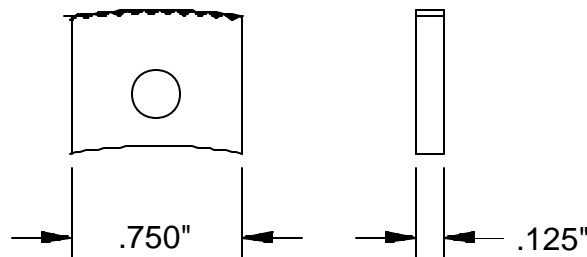
Gib Bolt & Bars

Part Number	Description	Thread	Length
16076	7/16" Square Gib Bolt	9/16"-18	.530"
16419	7/16" Hex Gib Bolt	9/16"-18	.530"
31759	1/2" Hex Gib Bolt	5/16-18	.687"
31931	1/2" Hex Gib Bolt	5/16-18	.575"

HAMILTON

Glue Impact Tools

Knurl Lock Tools



Part #31466
Long Life
Tool Steel