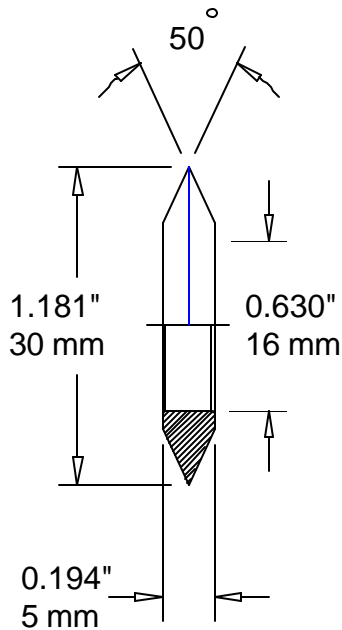


## Product Information 19927



Part Number	Cuts / inch	Teeth / wheel
19927-0	0	0
19927-2	2	7
19927-3	3	11
19927-4	4	15
19927-5	5	19
19927-6	6	22
19927-7	7	26
19927-8	8	30
19927-10	10	37
19927-12	12	45
19927-16	16	59

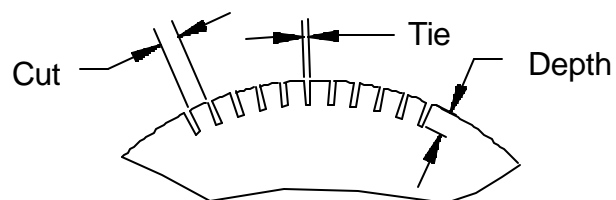
### meaden mini perfs

19927-3010	30	110
19927-4510	45	166
19927-5010	50	184
19927-6610	66	244
19927-7210	72	266
19927-3030	30	110
19927-4530	45	166
19927-5030	50	184
19927-6630	66	244
19927-7230	72	266

**DOVERSTAR  
KO PACK  
HEIDELBERG**

**bearing 634-Z**

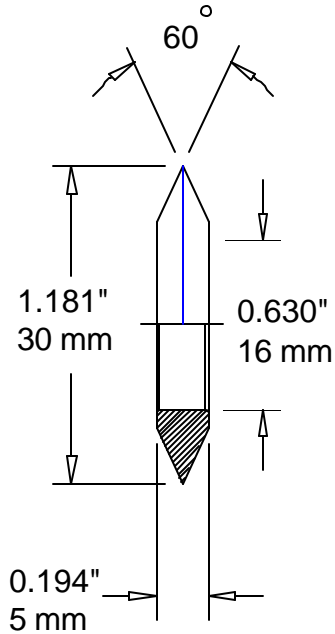
No charges for marking  
Other ties available at no charge up to .060" wide  
Any combination of cuts and ties available on request.



**meaden**

## Product Information 32069

**Cutting Edge  
has tip radius  
of .002"**



**COUNT**

Part Number	Cuts / inch	Teeth / wheel
32069-0	0	0
32069-2	2	7
32069-3	3	11
32069-4	4	15
32069-5	5	19
32069-6	6	22
32069-7	7	26
32069-8	8	30
32069-10	10	37
32069-12	12	45
32069-16	16	59

**meaden mini perfs**

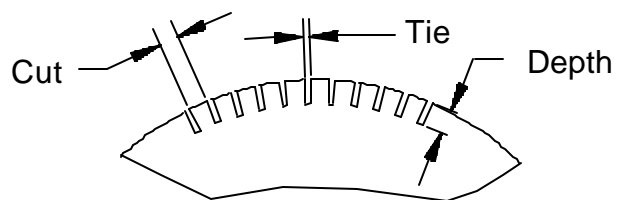
32069-3010	30	110
32069-4510	45	166
32069-5010	50	184
32069-6610	66	244
32069-7210	72	266
32069-3030	30	110
32069-4530	45	166
32069-5030	50	184
32069-6630	66	244
32069-7230	72	266

No charges for marking

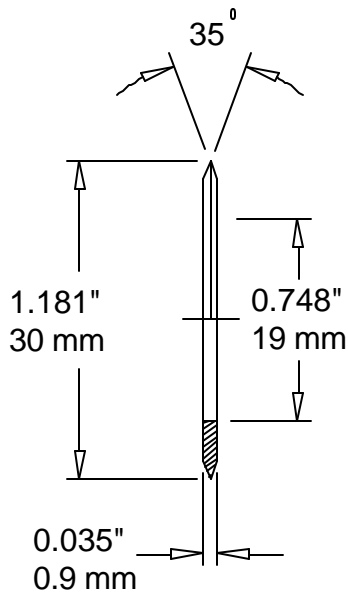
Other ties available at no charge up to .060" wide

Any combination of cuts and ties available on request.

**bearing 634-Z**



## Product Information 18494



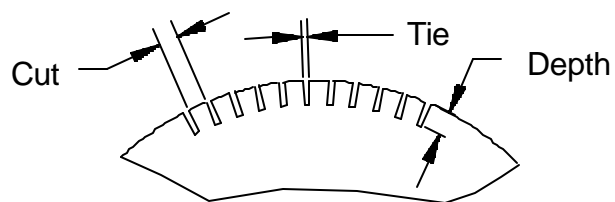
Part Number	Cuts / inch	Teeth / wheel
18494-0	0	0
18494-2	2	7
18494-3	3	11
18494-4	4	15
18494-5	5	19
18494-6	6	22
18494-7	7	26
18494-8	8	30
18494-10	10	37
18494-12	12	45
18494-16	16	59

### meaden mini perfs

18494-3010	30	110
18494-4510	45	166
18494-5010	50	184
18494-6610	66	244
18494-7210	72	266
18494-3030	30	110
18494-4530	45	166
18494-5030	50	184
18494-6630	66	244
18494-7230	72	266

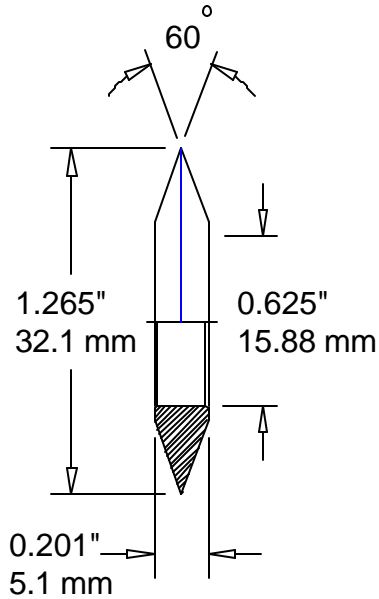
## HEIDELBERG GRAPHIC WHIZARD

No charges for marking  
Other ties available at no charge up to .060" wide  
Any combination of cuts and ties available on request.



## Product Information 30275

**This blade has a radiused tip for crush slitting.**



**Use number 31746 for face or liner slitting.**

**ROTO-METRICS**  
RD SCORER

**bearing 30987**

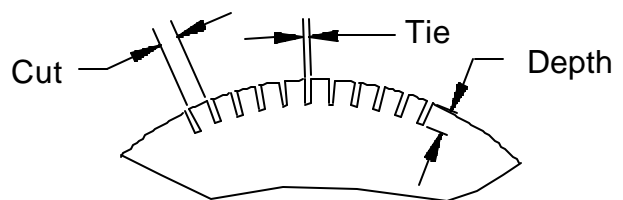
Part Number	Cuts / inch	Teeth / wheel
30275-0	0	0
30275-2	2	8
30275-3	3	12
30275-4	4	16
30275-5	5	20
30275-6	6	24
30275-7	7	28
30275-8	8	32
30275-10	10	40
30275-12	12	48
30275-16	16	64

**meaden mini perfs**

30275-3010	30	118
30275-4510	45	182
30275-5010	50	199
30275-6610	66	266
30275-7210	72	286
30275-3030	30	118
30275-4530	45	182
30275-5030	50	199
30275-6630	66	266
30275-7230	72	286

No charges for marking

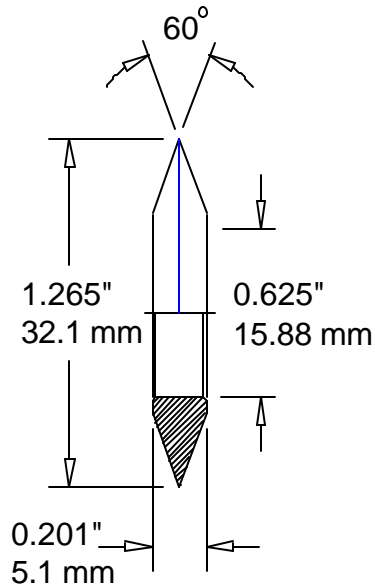
Other ties available at no charge up to .060" wide  
Any combination of cuts and ties available on request.



**meaden**

## Product Information 31746

**This blade has a true-sharp tip for face or liner slitting.**



**Use number 30275 for crush slitting.**

**ROTO-METRICS**  
RD SCORER

**bearing 30987**

Part Number	Cuts / inch	Teeth / wheel
31746-0	0	0
31746-2	2	8
31746-3	3	12
31746-4	4	16
31746-5	5	20
31746-6	6	24
31746-7	7	28
31746-8	8	32
31746-10	10	40
31746-12	12	48
31746-16	16	64

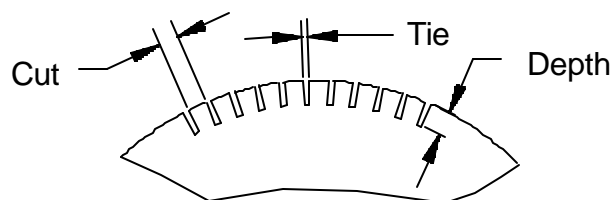
### meaden mini perfs

31746-3010	30	118
31746-4510	45	182
31746-5010	50	199
31746-6610	66	266
31746-7210	72	286
31746-3030	30	118
31746-4530	45	182
31746-5030	50	199
31746-6630	66	266
31746-7230	72	286

No charges for marking

Other ties available at no charge up to .060" wide

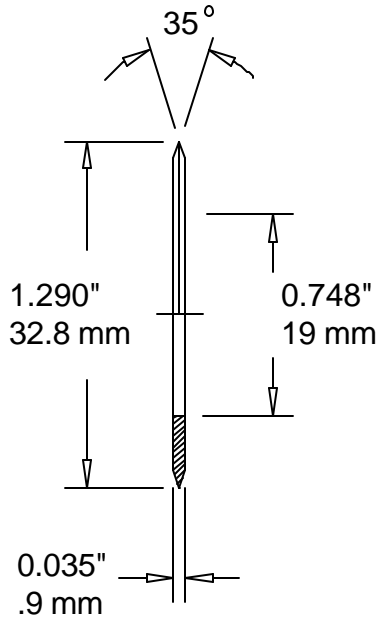
Any combination of cuts and ties available on request.



**meaden**

## Product Information 19776

**This blade has a true-sharp tip**



**UKITA**

Part Number	Cuts / inch	Teeth / wheel
19776-0	0	0
19776-2	2	8
19776-3	3	12
19776-4	4	16
19776-5	5	20
19776-6	6	24
19776-7	7	28
19776-8	8	32
19776-10	10	40
19776-12	12	48
19776-16	16	63

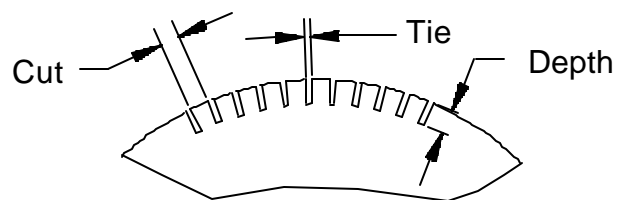
**meaden mini perfs**

19776-3010	30	120
19776-4510	45	182
19776-5010	50	202
19776-6610	66	266
19776-7210	72	290
19776-3030	30	120
19776-4530	45	182
19776-5030	50	202
19776-6630	66	266
19776-7230	72	290

No charges for marking

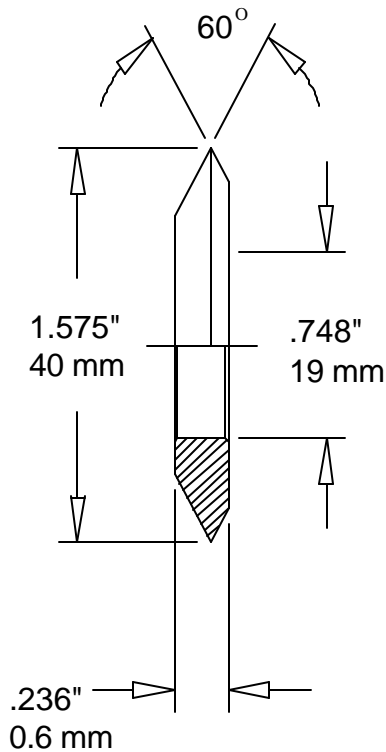
Other ties available at no charge up to .060" wide

Any combination of cuts and ties available on request.



**meaden**

# Product Information 19746



**AKIRA  
RYHOBI**

**bearing C-96-PP**

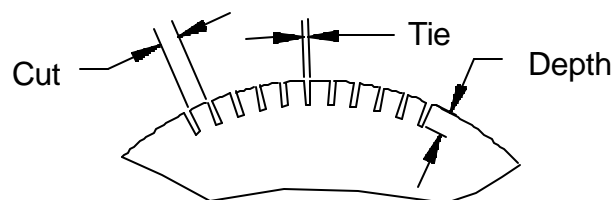
Part Number	Cuts / inch	Teeth / wheel
19746-0	0	0
19746-2	2	10
19746-3	3	15
19746-4	4	20
19746-5	5	25
19746-6	6	30
19746-7	7	35
19746-8	8	40
19746-10	10	50
19746-12	12	59
19746-16	16	79

19746-3010	30	148
19746-4510	45	222
19746-5010	50	246
19746-6610	66	326
19746-7210	72	356
19746-3030	30	148
19746-4530	45	222
19746-5030	50	246
19746-6630	66	326
19746-7230	72	356

No charges for marking

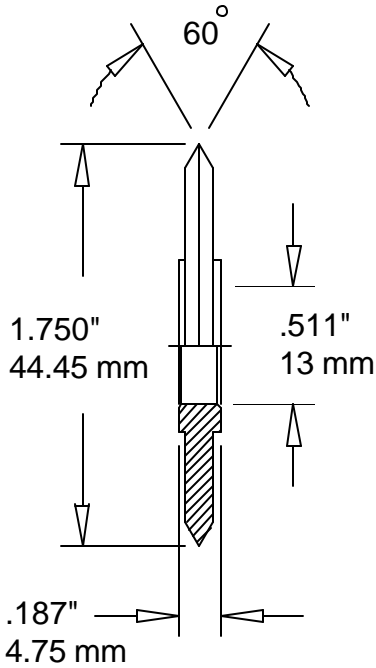
Other ties available at no charge up to .060" wide

Any combination of cuts and ties available on request.



**meaden**

## Product Information 17148



Part Number	Cuts / inch	Teeth / wheel
17148-0	0	0
17148-2	2	11
17148-3	3	17
17148-4	4	22
17148-5	5	28
17148-6	6	33
17148-7	7	39
17148-8	8	44
17148-10	10	55
17148-12	12	66
17148-16	16	88

### meaden mini perfs

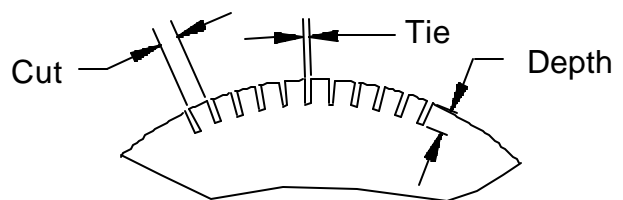
17148-3010	30	164
17148-4510	45	246
17148-5010	50	274
17148-6610	66	362
17148-7210	72	394
17148-3030	30	164
17148-4530	45	246
17148-5030	50	274
17148-6630	66	362
17148-7230	72	394

**TIMSONS**

No charges for marking

Other ties available at no charge up to .060" wide

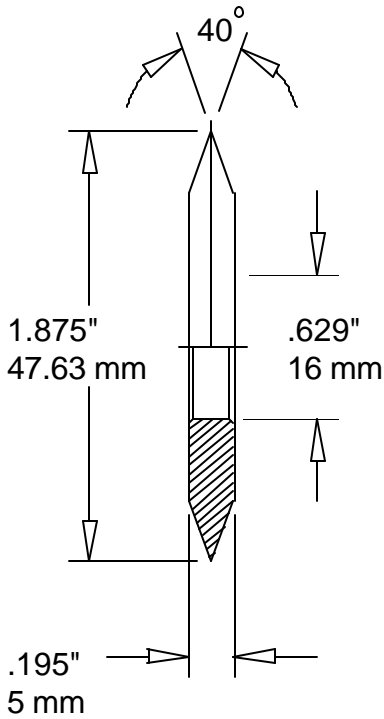
Any combination of cuts and ties available on request.



**meaden**



**Product Information 17997**



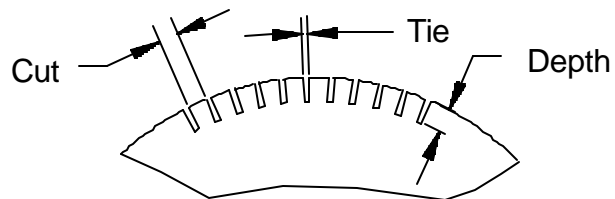
**PCM**

Part Number	Cuts / inch	Teeth / wheel
17997-0	0	0
17997-2	2	12
17997-3	3	18
17997-4	4	24
17997-5	5	29
17997-6	6	35
17997-7	7	41
17997-8	8	47
17997-10	10	59
17997-12	12	71
17997-16	16	94

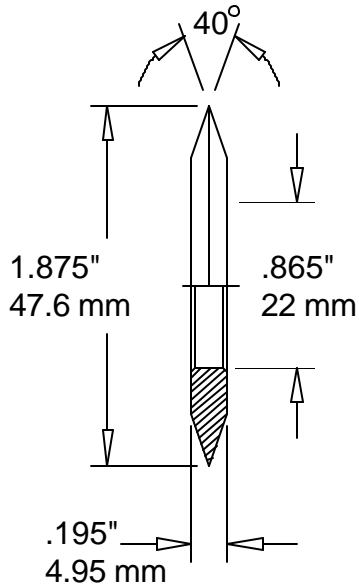
**meaden mini perms**

17997-3010	30	176
17997-4510	45	264
17997-5010	50	294
17997-6610	66	388
17997-7210	72	424
17997-3030	30	176
17997-4530	45	264
17997-5030	50	294
17997-6630	66	388
17997-7230	72	424

No charges for marking  
 Other ties available at no charge up to .060" wide  
 Any combination of cuts and ties available on request.



## Pricing Information 31302



Part Number	Cuts / inch	Teeth / wheel
31302-0	0	0
31302-2	2	12
31302-3	3	18
31302-4	4	24
31302-5	5	29
31302-6	6	35
31302-7	7	41
31302-8	8	47
31302-10	10	59
31302-12	12	71
31302-16	16	94

### meaden mini perfs

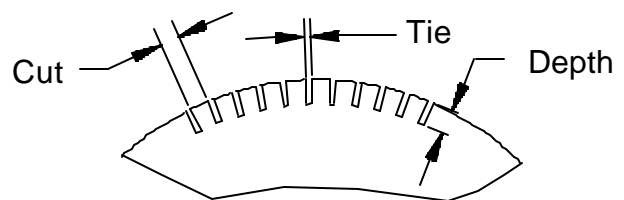
31302-3010	30	176
31302-4510	45	264
31302-5010	50	294
31302-6610	66	388
31302-7210	72	424
31302-3030	30	176
31302-4530	45	264
31302-5030	50	294
31302-6630	66	388
31302-7230	72	424

**UARCO**

No charges for marking

Other ties available at no charge up to .060" wide

Any combination of cuts and ties available on request.



**meaden**